



## Backward Curved Centrifugal Fan with Aileron Impeller



### Φ 220

Rotor Material: Aluminum Die-casting

Impeller Material: Plastic

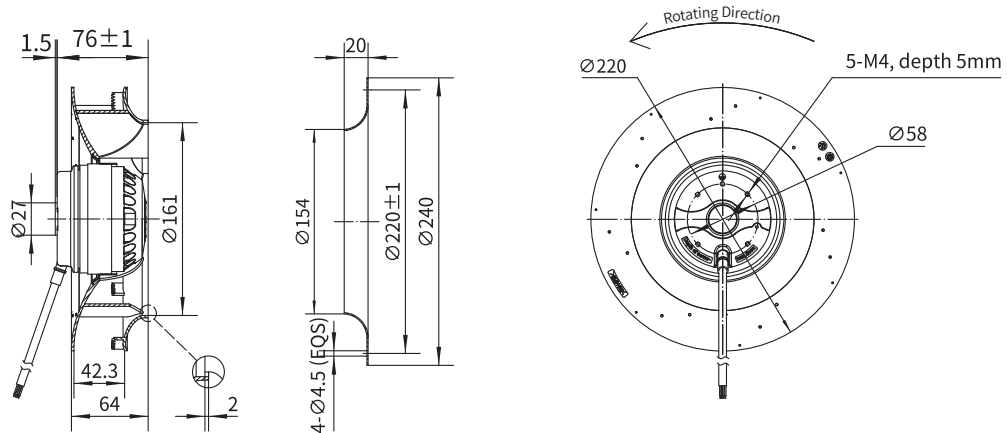
Ingress Protection: IP44

Insulation Class: F

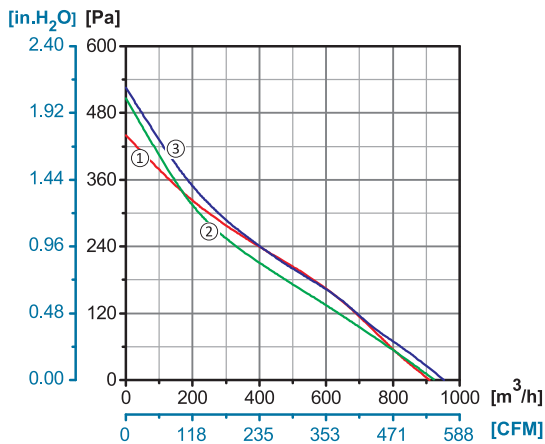
Bearing Type: Maintenance Free Ball Bearing

Aileron Impeller Centrifugal

### Dimensional Drawings



### Performance Curves



Model No.	Voltage	Frequency	Current	Power	Speed	Capacitor	Air Flow (0 Pa)	Noise	Curve	Working Temp.	Approvals
	V	Hz	A	W	RPM	µF	[m³/h]/[CFM]	dB(A)	No.	Min/Max (°C)	
YWF.B2S-220-065AB2B	110/120	60	0.93	110	2630	10	955/561	75	③	-30/+60	
YWF.B2S-220-065AB22	220/230	50	0.37	80	2450	3	910/535	71	①	-30/+60	CCC, CE
	220/230	60	0.49	105	2520	3	920/540	72	②	-30/+60	CE

