

DC High-efficiency Backward Curved Centrifugal Fan

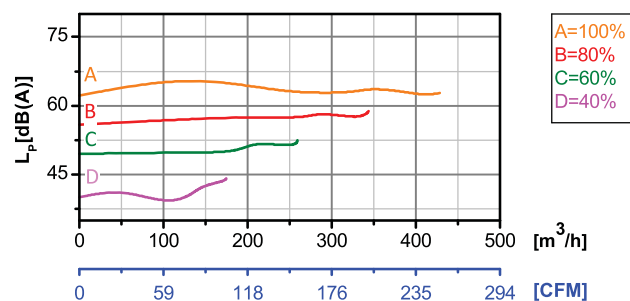
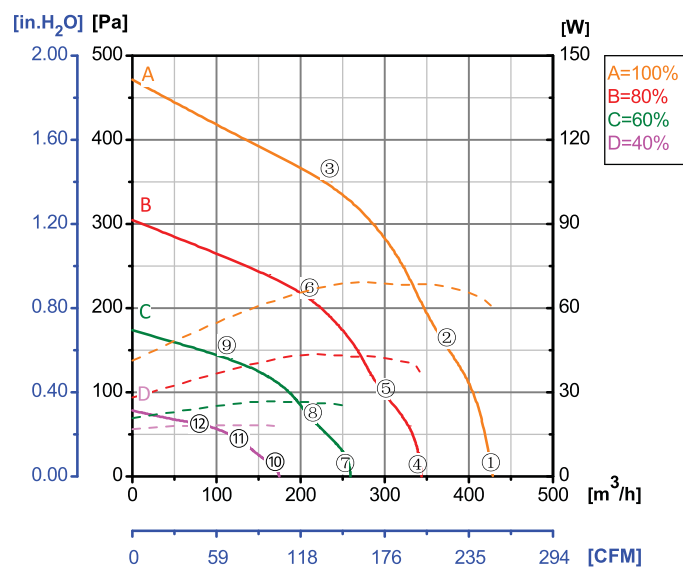
Erp2015
EXCEEDS THE NORM



Φ 133

Rotor Material: Carbon steel
Impeller Material: Plastic
Ingress Protection: IP42
Insulation Class: F
Bearing Type: Maintenance free ball bearing

Performance Curves

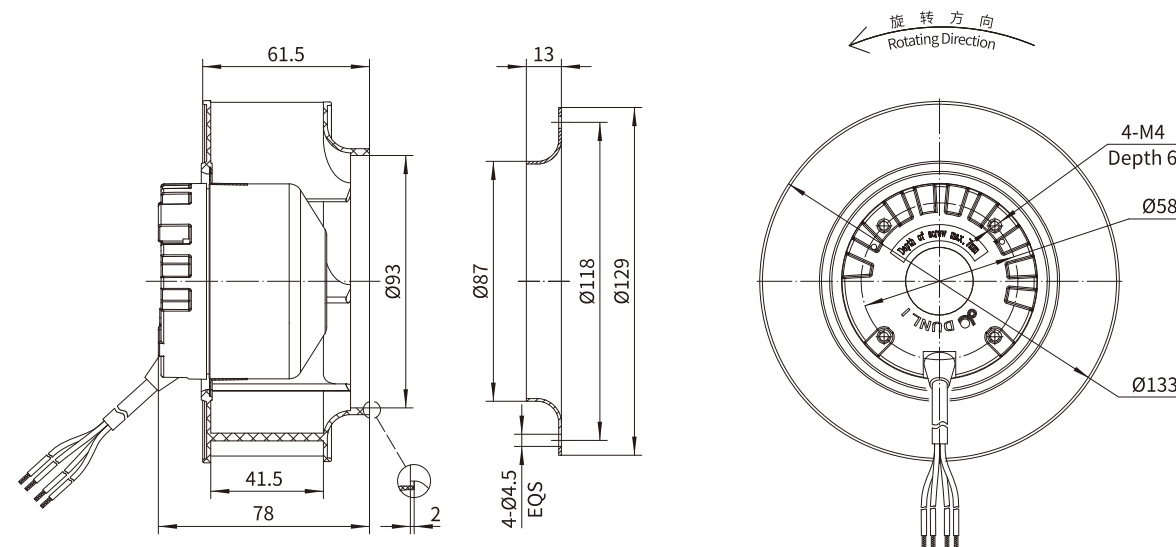


| Test Point | Speed | Input Power |
|------------|-------|-------------|
| | rpm | W |
| 1 | 4793 | 55 |
| 2 | 4793 | 67 |
| 3 | 4793 | 69 |
| 4 | 3830 | 36 |
| 5 | 3832 | 42 |
| 6 | 3832 | 43 |
| 7 | 2879 | 24 |
| 8 | 2878 | 27 |
| 9 | 2879 | 26 |
| 10 | 1921 | 18 |
| 11 | 1921 | 18 |
| 12 | 1921 | 18 |

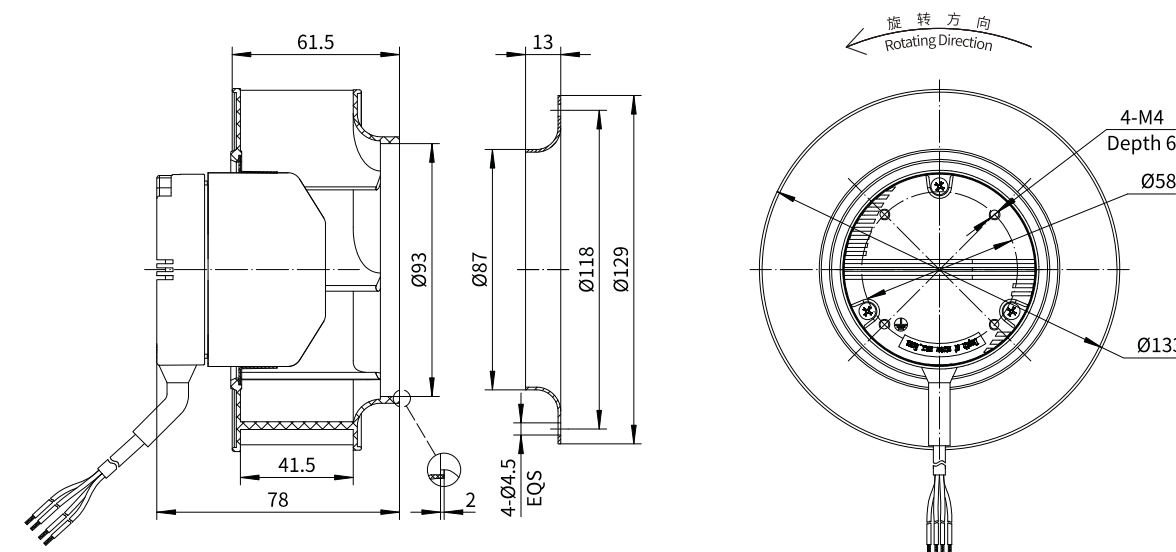
Erp2015 Data:
Efficiency $\eta_{statA} = \% < 125W$
Efficiency grade $N_{actual} = \%, N_{target} = 62$
Test report NO.: L-20210302-005-105

| Model No. | Voltage | Frequency | Speed | Input Power | Current | Working Temp. | Approvals |
|---------------|---------|-----------|-------|-------------|---------|---------------|-----------|
| | VAC | Hz | RPM | W | A | Min/Max (°C) | |
| DC72-B133-A10 | 24 | / | 4800 | 60 | 2.50 | -20/+60 | CE |
| DC72-B133-C10 | 48 | / | 4800 | 60 | 1.25 | -20/+60 | CCC,CE |
| DC72-B133-D10 | 310 | / | 4800 | 60 | 0.20 | -20/+60 | CCC,CE |

Motorized Backward Curved Impeller (24V & 48V)



Motorized Backward Curved Impeller (310V)



High-efficiency B/C Centrifugal