



**Aluminum Die-casting Airfoil Blade Axial Fan**

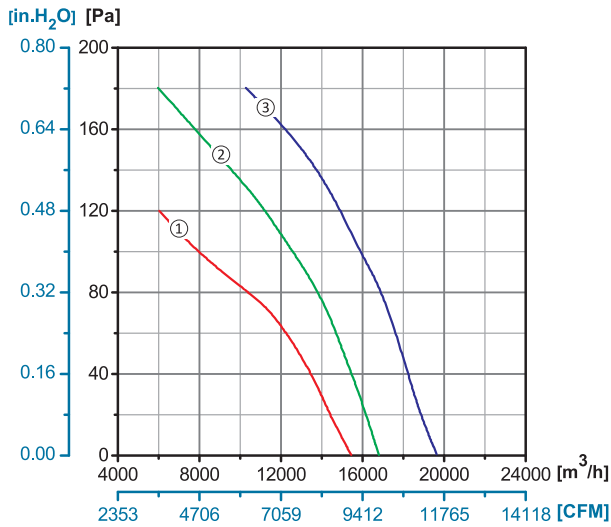
**ErP2015**  
EXCEEDS THE NORM








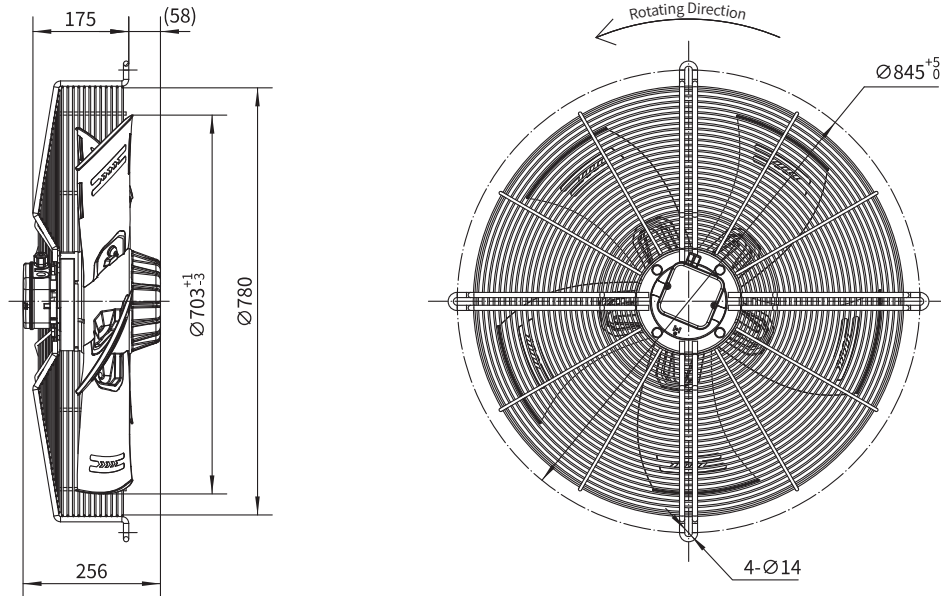
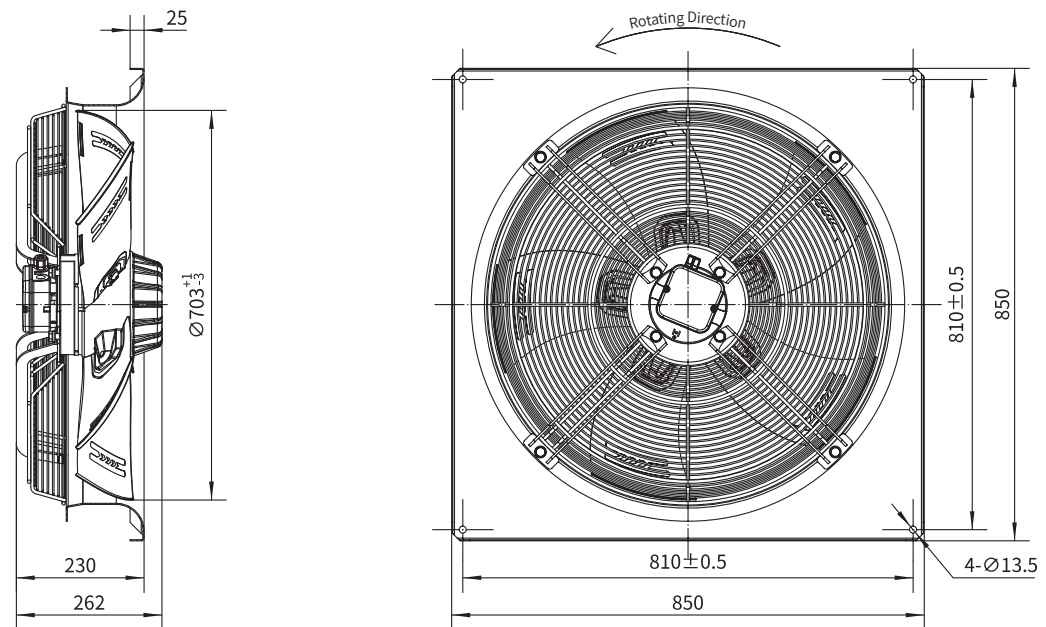
**Φ710**


**Rotor Material:** Aluminum Die-casting  
**Impeller Material:** Aluminum Die-casting  
**Ingress Protection:** IP54  
**Insulation Class:** F  
**Bearing Type:** Maintenance Free Ball Bearing

**Performance Curves**



				
Type B	Type C	Type D	Type E	Type F0
/	/	YWF.A6T-710S-5D   SZ0	/	/

**Type D**

**Type F1**


	Voltage	Frequency	Current	Power	Speed	Capacitor	Air Flow (0 Pa)	Noise	Curve	Working Temp.	Approvals
Type F1	V	Hz	A	W	RPM	$\mu\text{F}$	$[\text{m}^3/\text{h}]/[\text{CFM}]$	dB(A)	No.	Min/Max( $^{\circ}\text{C}$ )	
YWF.A6T-710S-5F   SZ0	380/400	50	2.00	850	950	/	16500/9710	75	②	-30/+60	CCC, CE
	380/400	50	1.20	680	860	/	15000/8820	73	①	-30/+60	CCC, CE
	380/400	60	2.30	1280	1100	/	19200/11290	77	③	-30/+60	CCC, CE