

EC Plastic Airfoil Blade Axial Fan

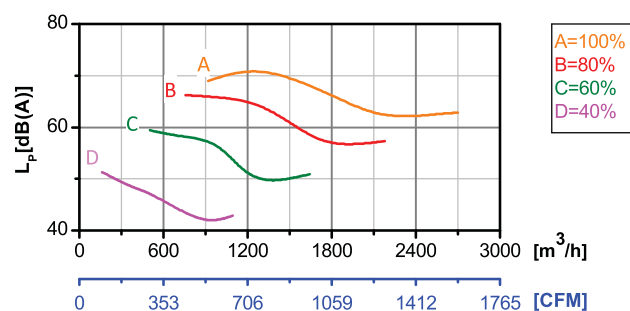
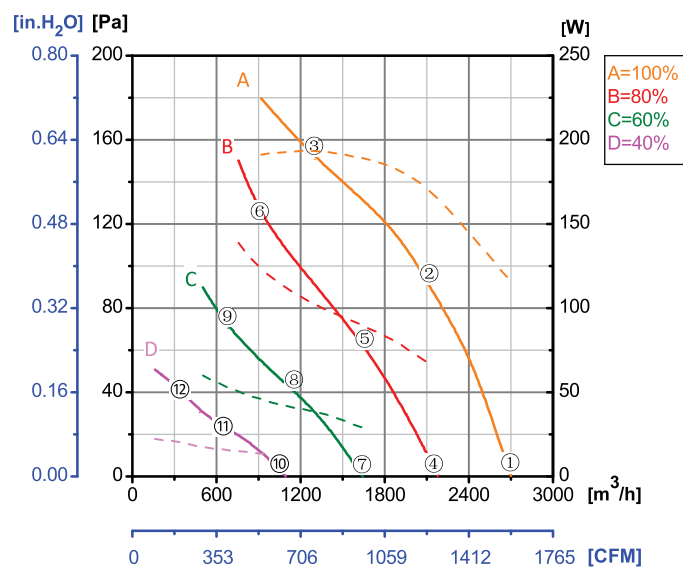
ErP2015
EXCEEDS THE NORM



Φ 300

Rotor Material: Carbon steel
Blade Material: Plastic
Ingress Protection: IP42
Insulation Class: F
Bearing Type: Maintenance free ball bearing

Performance Curves

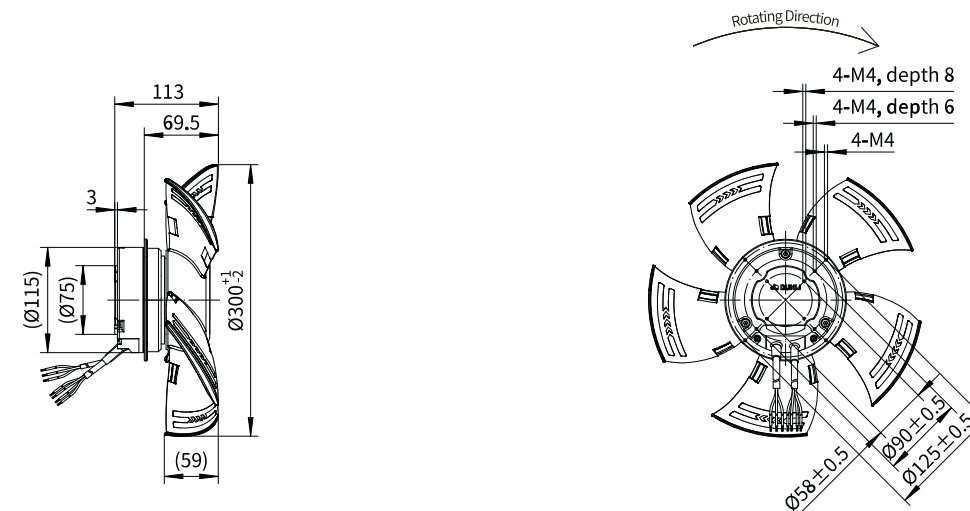


Test Point	Speed	Input Power
	rpm	W
1	2098	115
2	2099	170
3	2047	195
4	1681	63
5	1681	88
6	1680	119
7	1258	29
8	1261	41
9	1260	52
10	839	11
11	846	15
12	846	20

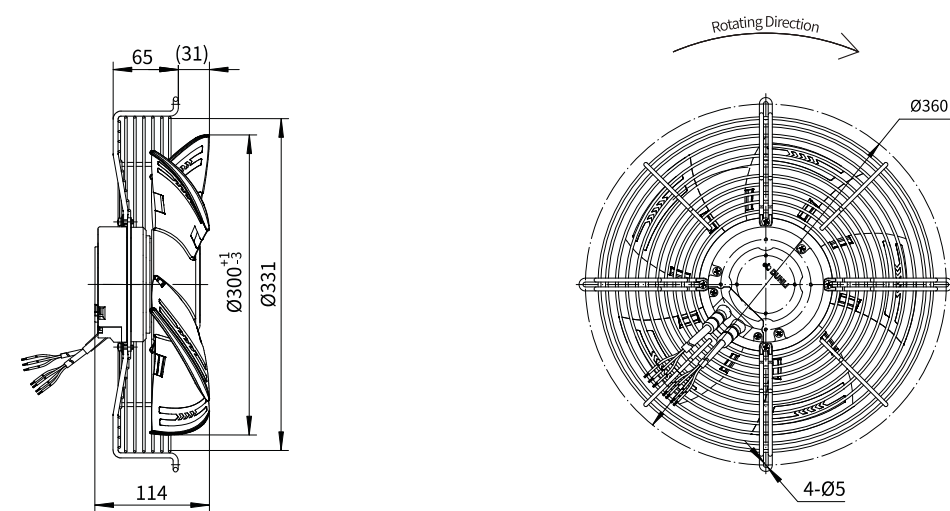
Erp2015 Data:
Efficiency η_{statA} = 38%
Efficiency grade N_{actual} = 48.9, N_{target} = 40
Test report NO. : L-20210302-004-017

Model No.	Voltage	Frequency	Speed	Input Power	Current	Working Temp.	APPROVALS
	VAC	Hz	RPM	W	A	Min/Max (°C)	
EC92-A300-IB38	1~220/230	50/60	2100	130	1.00	-20/+60	CCC,CE,UL

Type A



Type D



Type F

