

DC Backward Curved Centrifugal Fan with Aileron Impeller

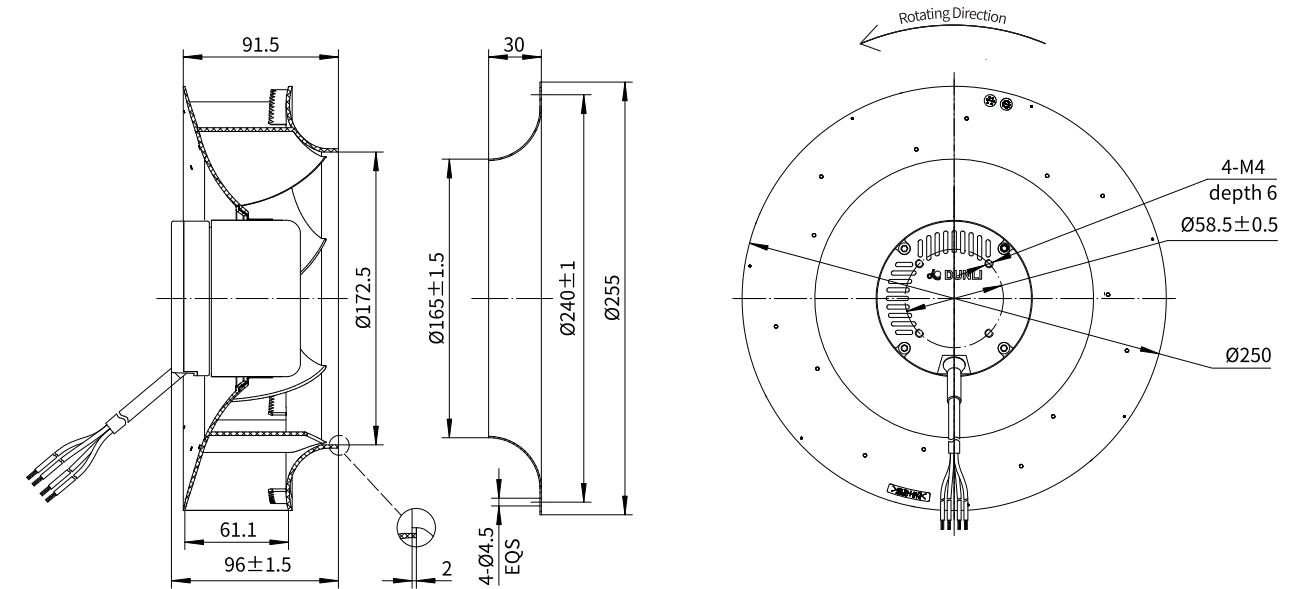
Erp2015  
EXCEEDS THE NORM

Motorized Backward Curved Impeller

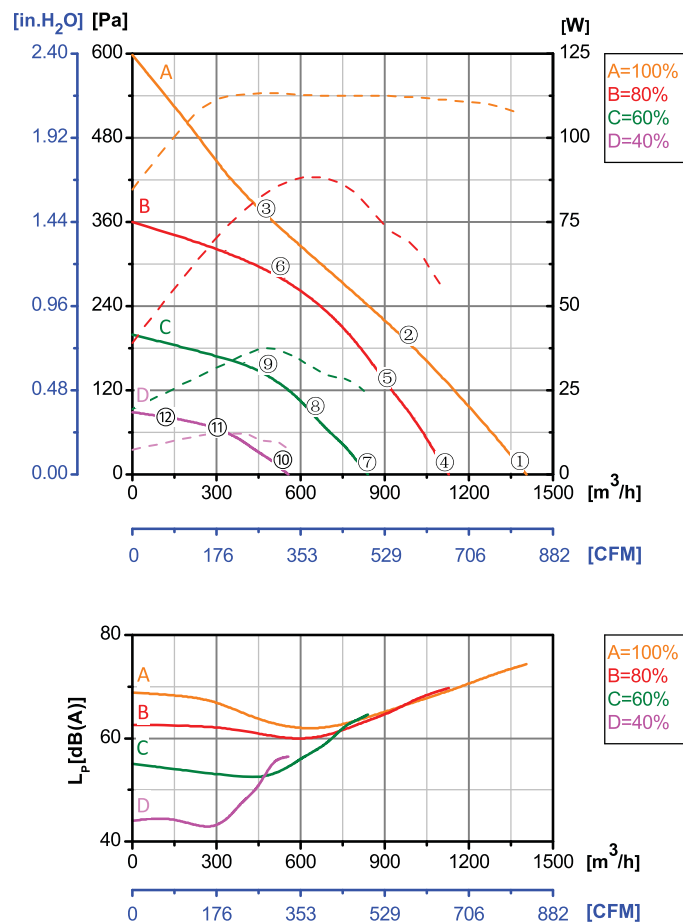


Φ 250

Rotor Material: Carbon steel  
Impeller Material: Plastic  
Ingress Protection: IP42  
Insulation Class: F  
Bearing Type: Maintenance free ball bearing



Performance Curves



Test Point	Speed	Input Power
	rpm	W
1	4355	167
2	4210	170
3	4142	170
4	3488	81
5	3483	87
6	3486	90
7	2616	28
8	2616	31
9	2615	34
10	1745	8
11	1745	9
12	1745	10

Erp2015 Data:  
Efficiency  $\eta_{statA} = *% < 125W$   
Efficiency grade  $N_{actual} = *, N_{target} = 44$   
Test report No. : L-20210302-005-029

Model No.	Voltage	Frequency	Speed	Input Power	Current	Working Temp.	Approvals
	VAC	Hz	RPM	W	A	Min/Max (°C)	
DC92-B250-A01	24	/	2400	95	3.98	-20/+60	CE
DC92-B250-C01	48	/	2400	95	1.98	-20/+60	CCC,CE
DC92-B250-D01	310	/	2400	95	0.31	-20/+60	CCC,CE