

EC Backward Centrifugal Fan with Metal Impeller

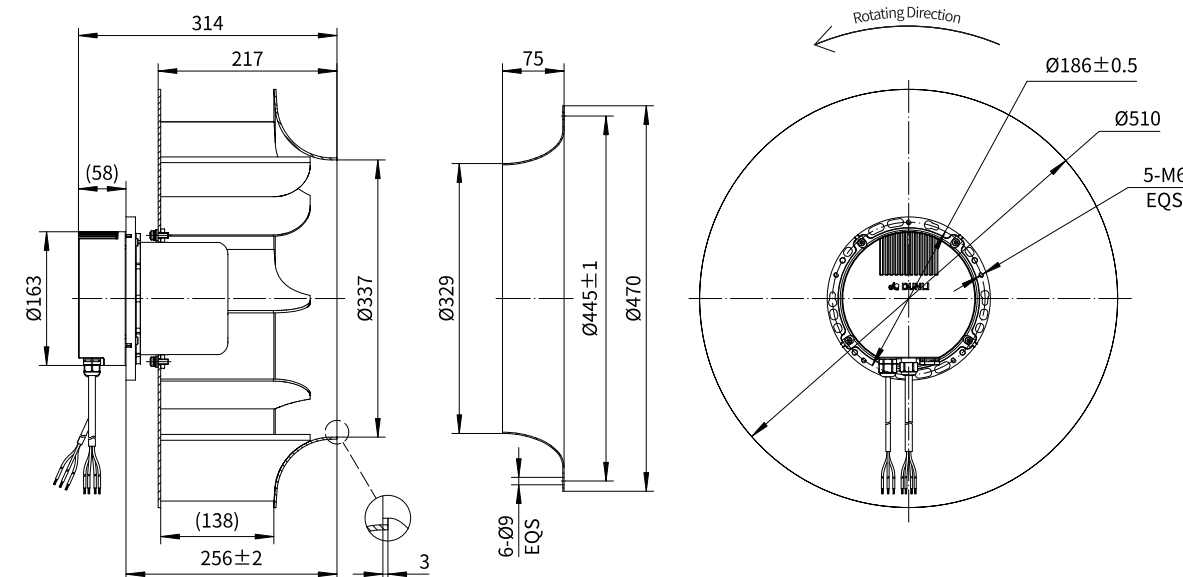
Erp2015
EXCEEDS THE NORM

Motorized Backward Curved Impeller

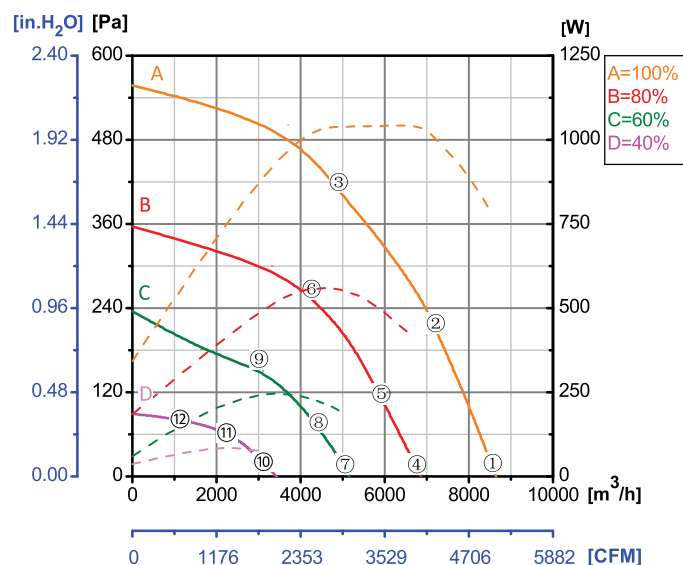


Φ 500 (3-phase)

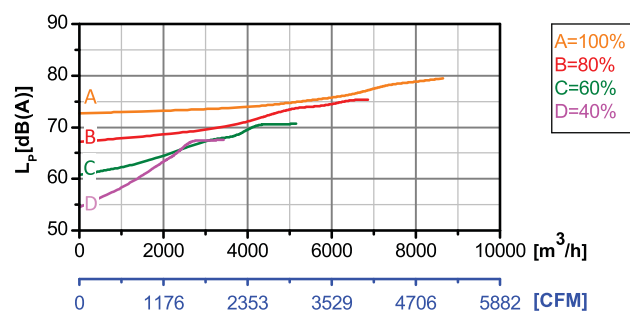
Rotor Material: Carbon steel
Impeller Material: Aluminum alloy sheet
Ingress Protection: IP54
Insulation Class: F
Bearing Type: Maintenance free ball bearing



Performance Curves

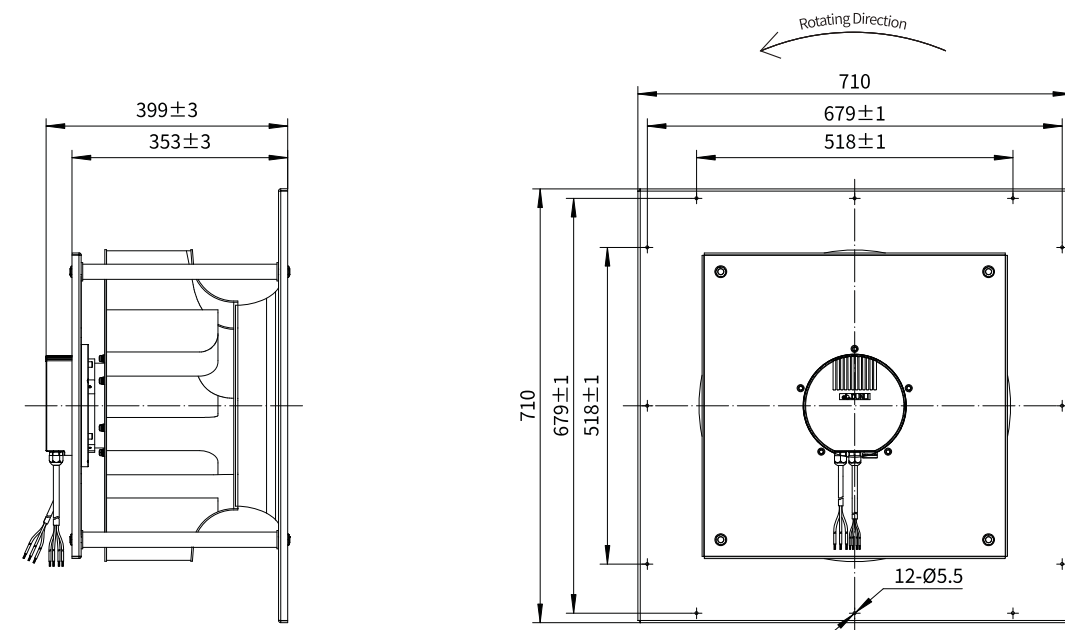


Test Point	Speed	Input Power
	rpm	W
1	1264	763
2	1269	995
3	1231	1040
4	1008	394
5	1009	487
6	1009	566
7	762	176
8	760	219
9	762	245
10	511	64
11	512	81
12	510	84



Erp2015 Data:
Efficiency η_{statA}=58.1%
Efficiency grade N_{actual}=68.4, N_{target}=62
Test report No. : L-20210302-005-069

With Supporting Rack



Model No.	Voltage	Frequency	Speed	Input Power	Current	Working Temp.	Approvals
	VAC	Hz	RPM	W	A	Min/Max (°C)	
EC137-B500-001	3~380/400	50/60	1260	820	1.70	-20/+60	CCC,CE