



## Conventional Carbon Steel Blade Axial Fan

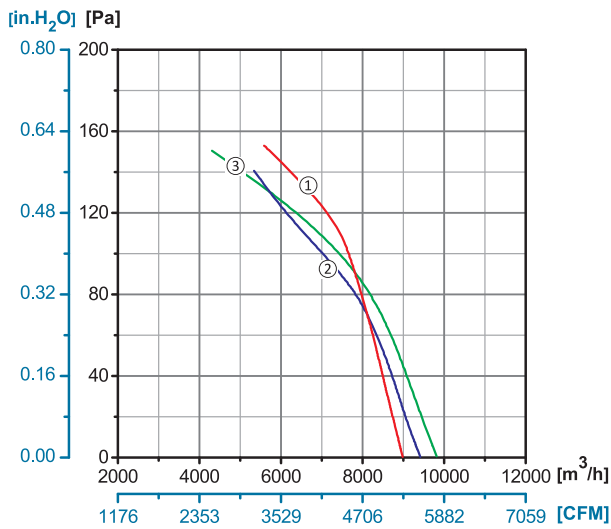
**ErP2015**  
EXCEEDS THE NORM



### Φ500-H

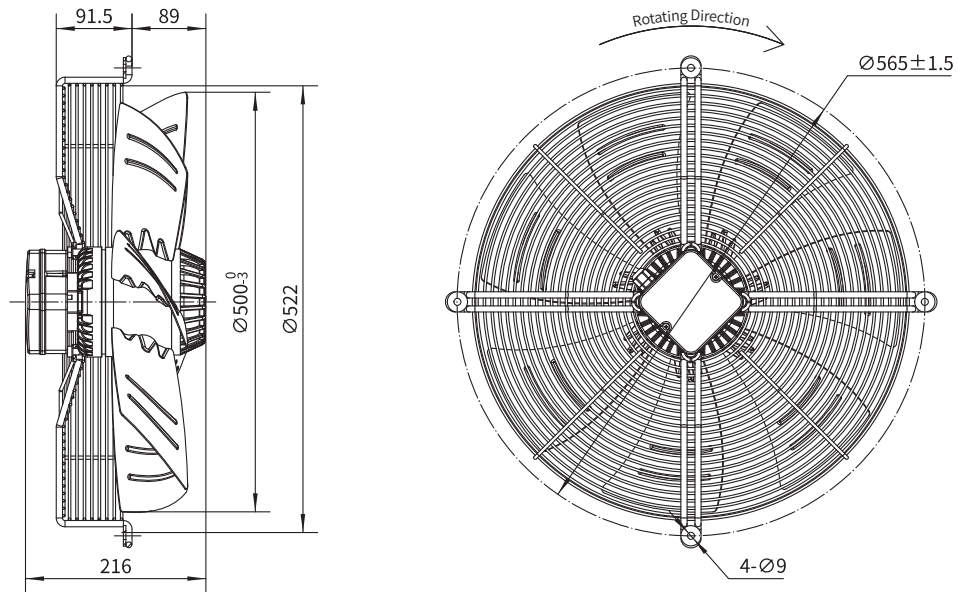
**Rotor Material:** Aluminum Die-casting  
**Impeller Material:** Carbon Steel  
**Ingress Protection:** IP54  
**Insulation Class:** F  
**Bearing Type:** Maintenance Free Ball Bearing

### Performance Curves



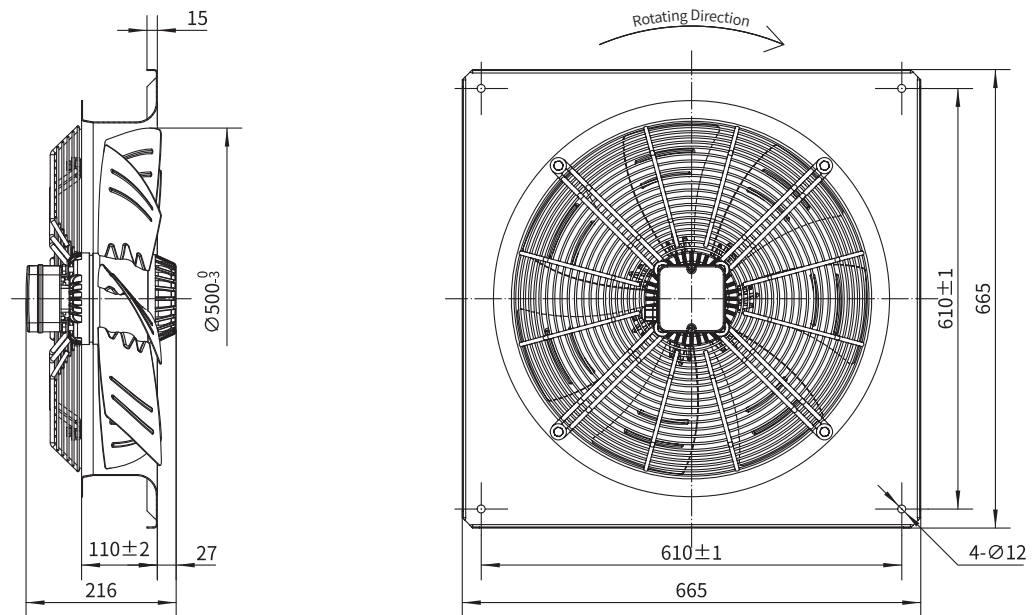
Type B	Type C	Type D	Type E	Type F0
/	/	YWF.A4S-500S-7D   AT0	/	/
/	/	YWF.A4T-500S-7D   AT0	/	/


### Type D



Conv. Steel Blade Axial

### Type F1



	Voltage	Frequency	Current	Power	Speed	Capacitor	Air Flow (0 Pa)	Noise	Curve	Working Temp.	Approvals
Type F1	V	Hz	A	W	RPM	µF	[m³/h]/[CFM]	dB(A)	No.	Min/Max(°C)	
YWF.A4S-500S-7F   AT1	220/230	50	3.90	850	1350	16	9800/5765	74	③	-30/+60	CCC, CE
	220/230	60	4.50	950	1600	16	8980/5282	75	①	-30/+60	CCC, CE
YWF.A4T-500S-7F   AT1	380/400	50	1.60	850	1350	/	9411/5536	72	②	-30/+60	CCC, CE
	380/400	60	1.50	850	1600	/	8980/5282	74	①	-30/+60	CCC, CE