

EC Conventional Carbon Steel Blade Axial Fan

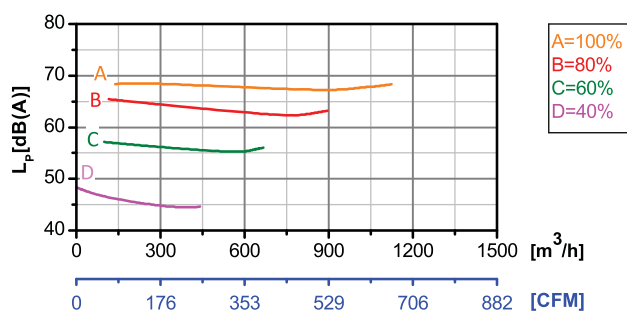
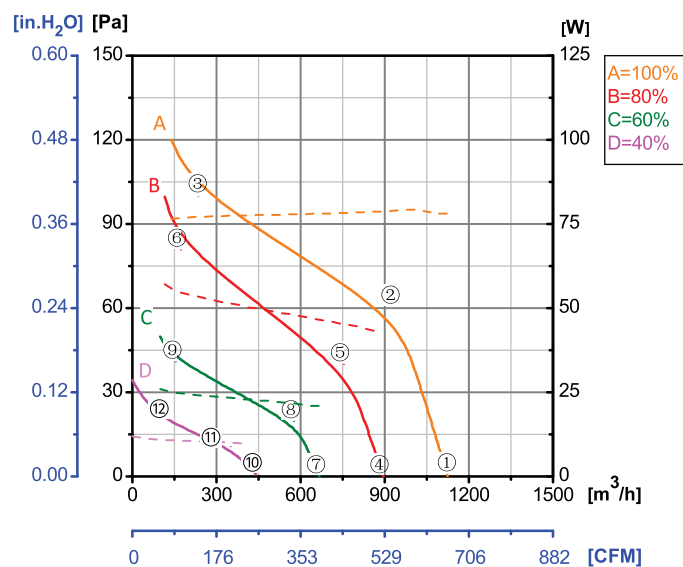
Erp2015
EXCEEDS THE NORM



Φ 200

Rotor Material: Carbon steel
Blade Material: Carbon steel
Ingress Protection: IP44
Insulation Class: F
Bearing Type: Maintenance free ball bearing

Performance Curves

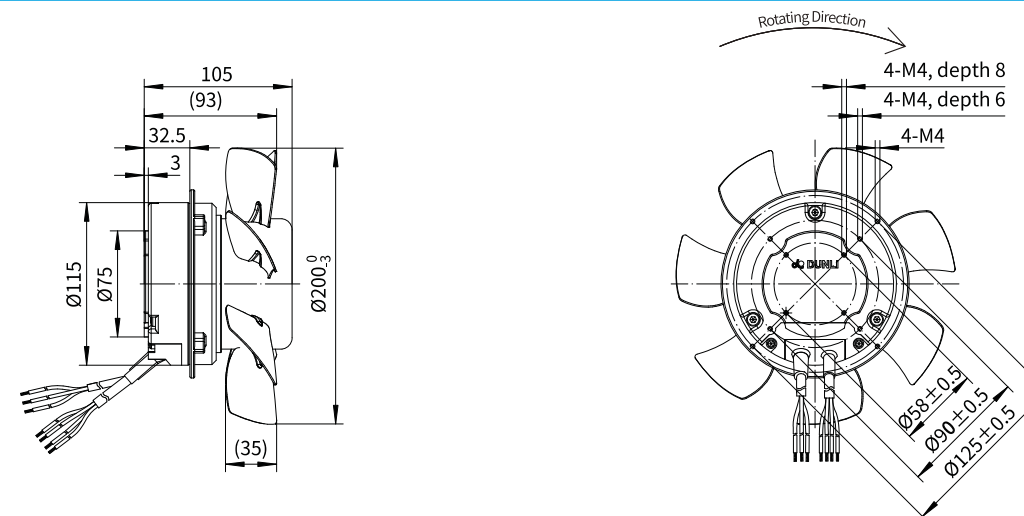


Test Point	Speed	Input Power
	rpm	W
1	3040	78
2	2974	78
3	2814	77
4	2433	42
5	2435	45
6	2438	53
7	1821	21
8	1830	22
9	1824	24
10	1222	9
11	1232	10
12	1228	11

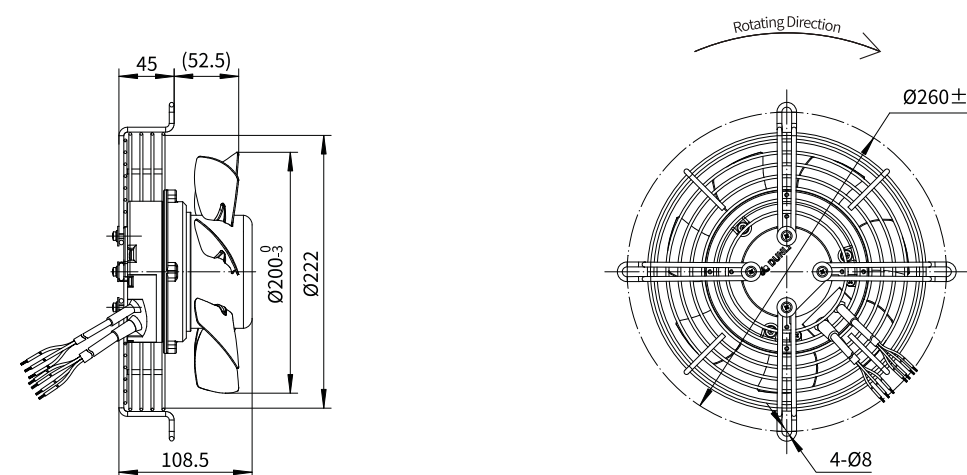
Erp2015 Data:
Efficiency $\eta_{statA}=0\%$
Efficiency grade $N_{actual}=0, N_{target}=40$
Test report No. : L-20210302-004-018

Model No.	Voltage	Frequency	Speed	Input Power	Current	Working Temp.	Approvals
	VAC	Hz	RPM	W	A	Min/Max (°C)	
EC92-A200-IA33	1~220/230	50/60	2860	75	0.61	-20/+60	CCC,CE,UL

Type A



Type C



Type F

