



Conventional Carbon Steel Blade Axial Fan

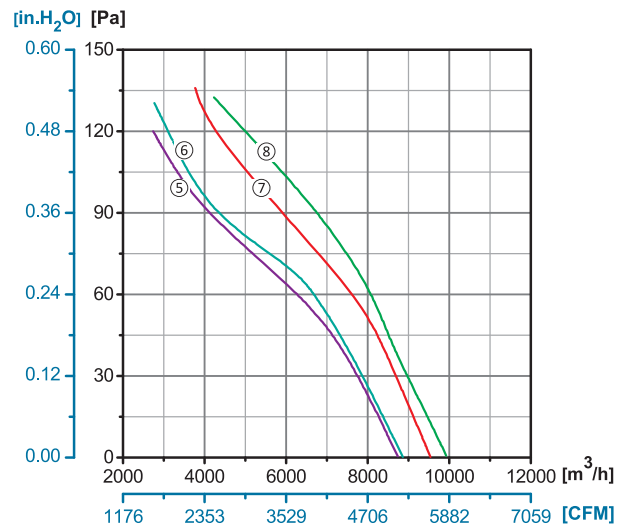
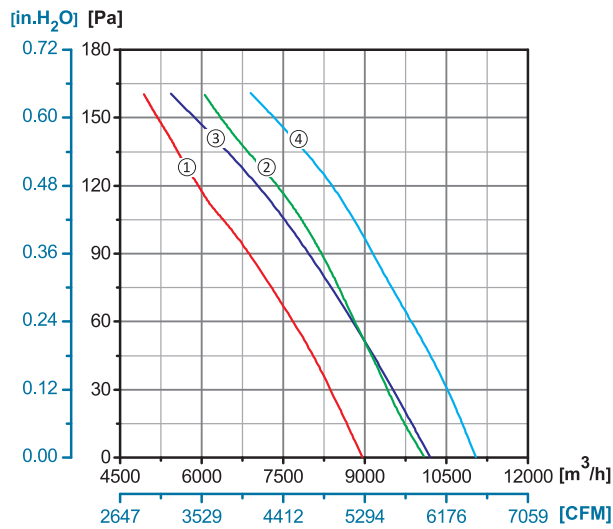
ErP2015
EXCEEDS THE NORM



Φ600

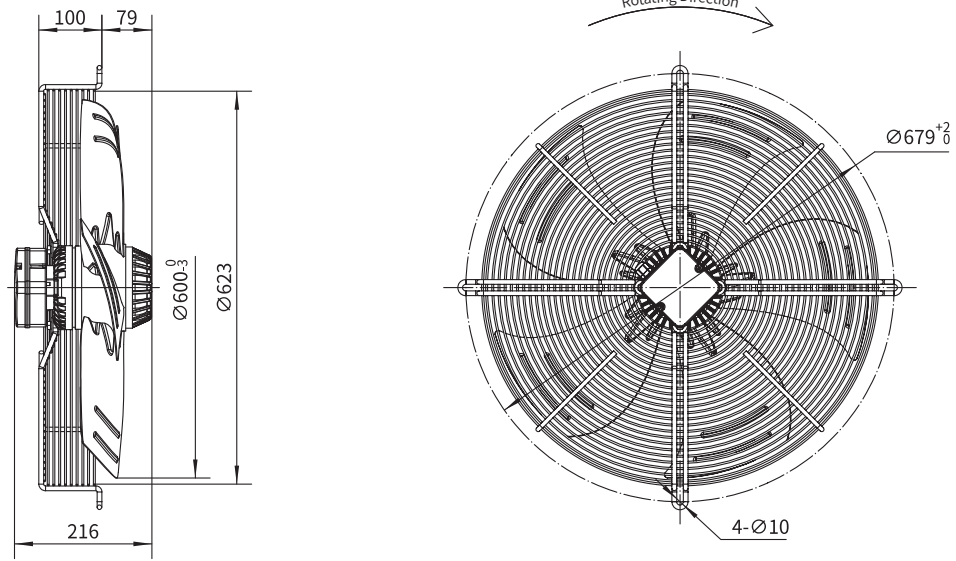
Rotor Material: Aluminum Die-casting
Impeller Material: Carbon Steel
Ingress Protection: IP54
Insulation Class: F
Bearing Type: Maintenance Free Ball Bearing

Performance Curves



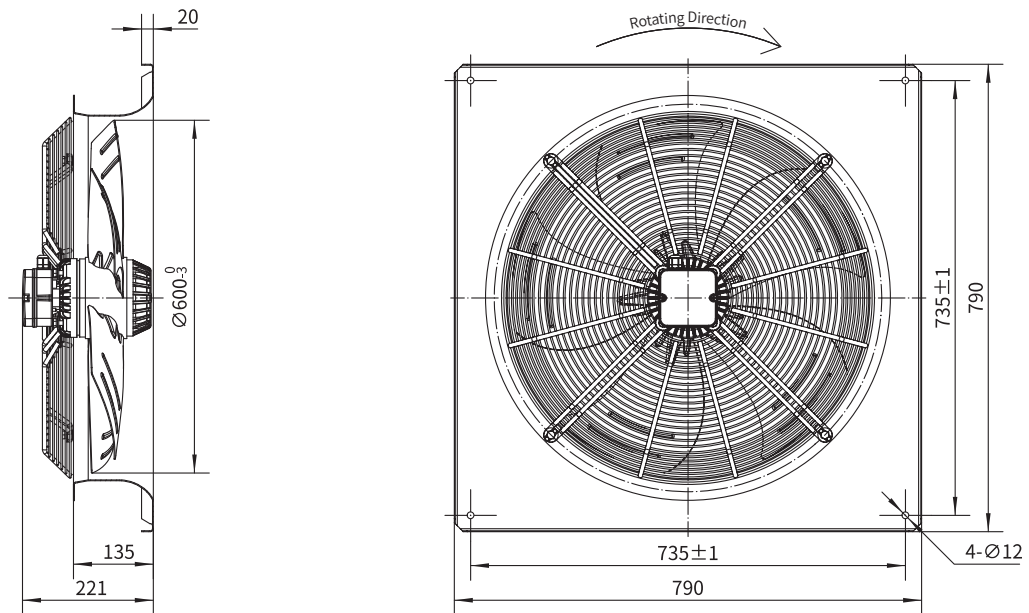
Type B	Type C	Type D	Type E	Type F0
/	/	YWF.A4S-600S-5D A00	/	/
/	/	YWF.A4T-600S-5D A00	/	/
/	/	YWF.A6S-600S-5D A00	/	/
/	/	YWF.A6T-600S-5D A00	/	/


Type D



Conv. Steel Blade Axial

Type F1



	Voltage	Frequency	Current	Power	Speed	Capacitor	Air Flow (0 Pa)	Noise	Curve	Working Temp.	Approvals
Type F1	V	Hz	A	W	RPM	µF	[m³/h]/[CFM]	dB(A)	No.	Min/Max(°C)	
YWF.A4S-600S-5F A01	220/230	50	3.80	800	1380	16	8950/5265	73	①	-30/+60	CCC, CE
	220/230	60	4.20	920	1640	16	10080/5929	75	②	-30/+60	CCC, CE, UL
YWF.A4T-600S-5F A01	380/400	50	1.50	800	1350	/	10200/6000	73	③	-30/+60	CCC, CE
	380/400	60	2.00	1000	1550	/	11000/6490	76	④	-30/+60	CCC, CE, UL
YWF.A6S-600S-5F A01	220/230	50	2.40	500	910	12	8733/5137	65	⑤	-30/+60	CCC, CE
	220/230	60	2.94	640	1080	12	9930/5841	70	⑧	-30/+60	CCC, CE, UL
YWF.A6T-600S-5F A01	380/400	50	1.50	500	920	/	8860/5212	67	⑥	-30/+60	CCC, CE
	380/400	60	1.50	650	1070	/	9550/5618	69	⑦	-30/+60	CCC, CE, UL

