

EC Backward Centrifugal Fan with Metal Impeller

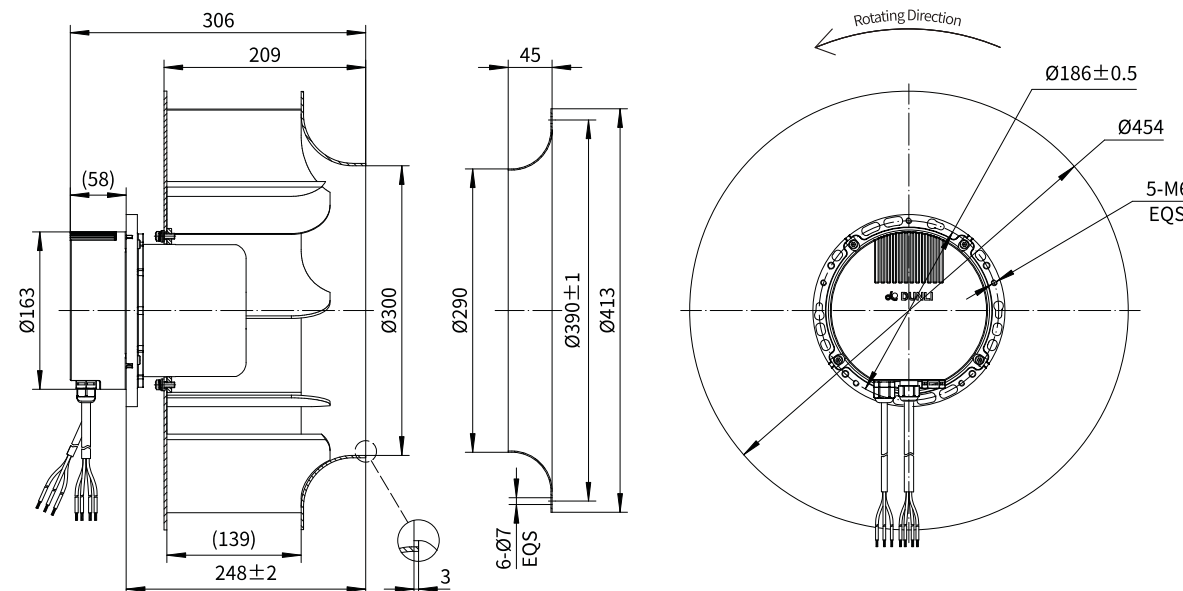
Erp2015  
EXCEEDS THE NORM

Motorized Backward Curved Impeller

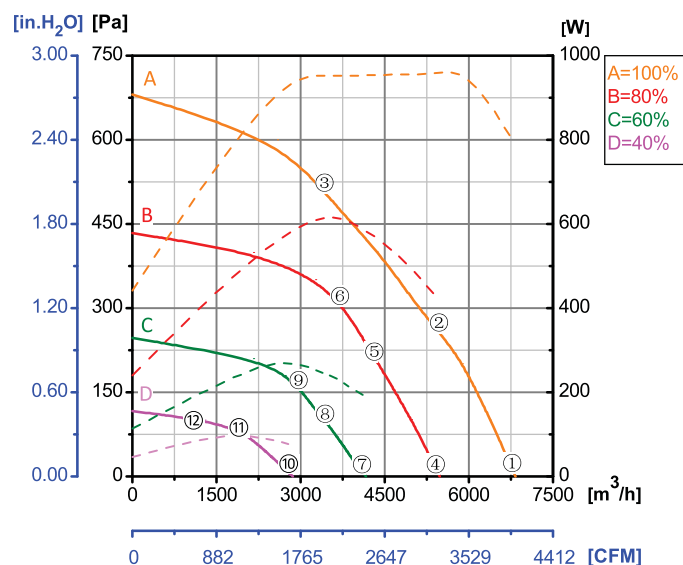


Φ 450 (3-phase)

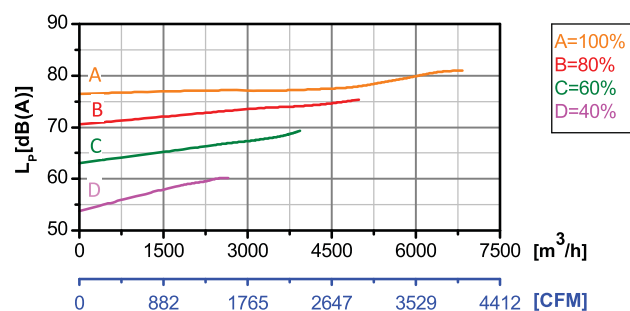
Rotor Material: Carbon steel  
Impeller Material: Aluminum alloy sheet  
Ingress Protection: IP54  
Insulation Class: F  
Bearing Type: Maintenance free ball bearing



Performance Curves

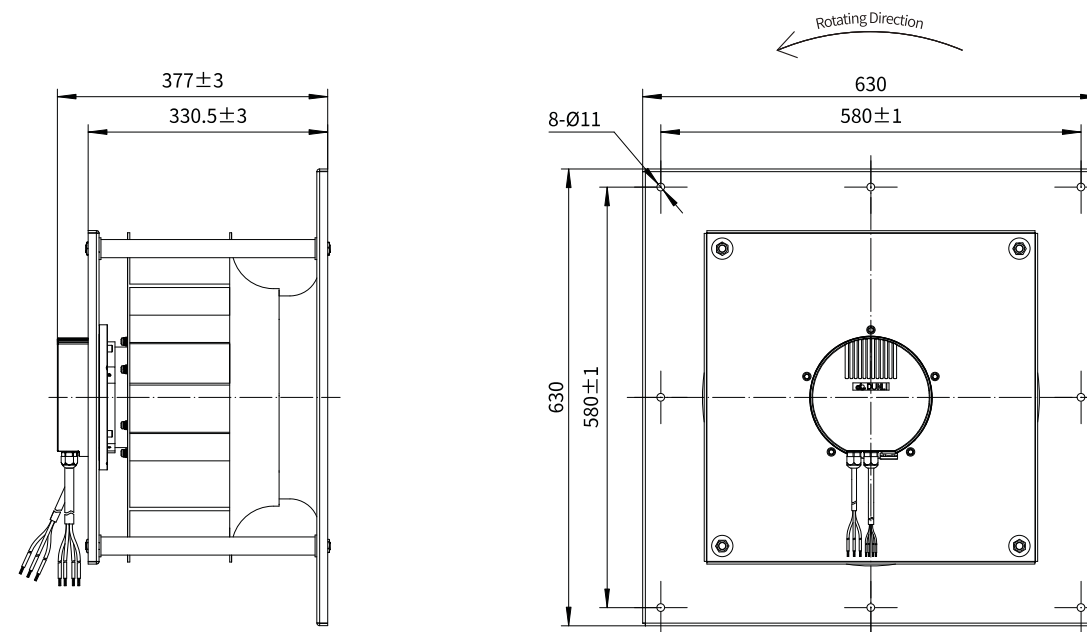


Test Point	Speed	Input Power
	rpm	W
1	1556	788
2	1515	960
3	1448	951
4	1243	416
5	1246	566
6	1248	615
7	940	189
8	943	242
9	940	264
10	643	73
11	642	88
12	643	98



Erp2015 Data:  
Efficiency η<sub>statA</sub>=55.5%  
Efficiency grade N<sub>actual</sub>=66.2, N<sub>target</sub>=62  
Test report No. : L-20210302 -005-067

With Supporting Rack



Model No.	Voltage	Frequency	Speed	Input Power	Current	Working Temp.	Approvals
	VAC	Hz	RPM	W	A	Min/Max (°C)	
EC137-B450-001	3~380/400	50/60	1560	820	1.70	-20/+60	CCC,CE