



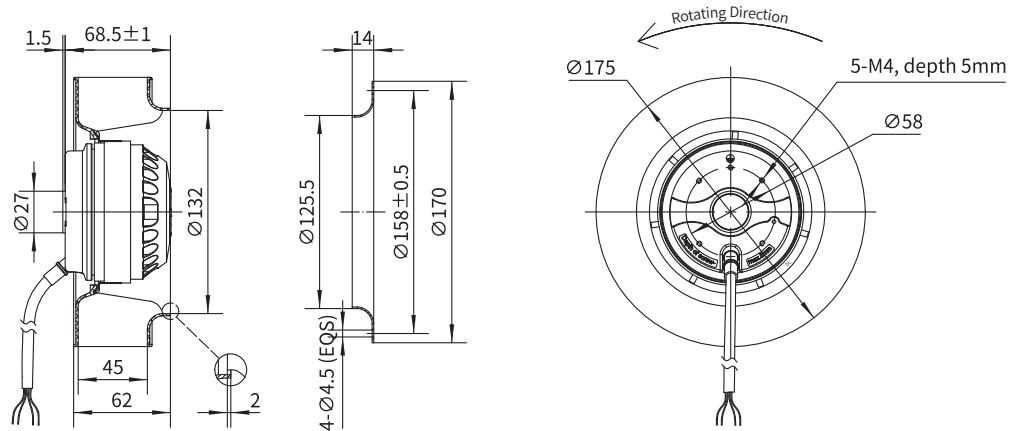
## Backward Curved Centrifugal Fan with Conventional Plastic Impeller



# Φ 175

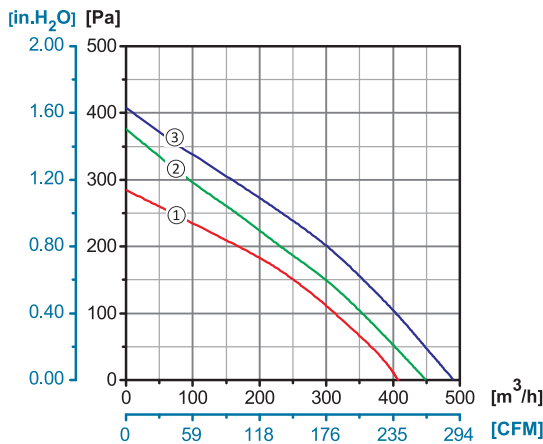
- Rotor Material: Aluminum Die-casting
- Impeller Material: Plastic
- Ingress Protection: IP44
- Insulation Class: F
- Bearing Type: Maintenance Free Ball Bearing

### Dimensional Drawings



Conv. Plastic B/C Centrifugal

### Performance Curves



Model No.	Voltage	Frequency	Current	Power	Speed	Capacitor	Air Flow (0 Pa)	Noise	Curve	Working Temp.	Approvals
	V	Hz	A	W	RPM	µF	[m³/h]/[CFM]	dB(A)	No.	Min/Max (°C)	
YWF.B2S-175-060AB2A	110/120	60	0.52	62	2970	6	490/290	68	③	-30/+60	
YWF.B2S-175-060AB20	220/230	50	0.23	53	2550	2	410/245	63	①	-30/+60	CCC, CE
	220/230	60	0.27	56	2750	2	450/265	65	②	-30/+60	CE