



## In-line Duct Fan



### Φ 300

**Rotor Material:** Aluminum Die-casting

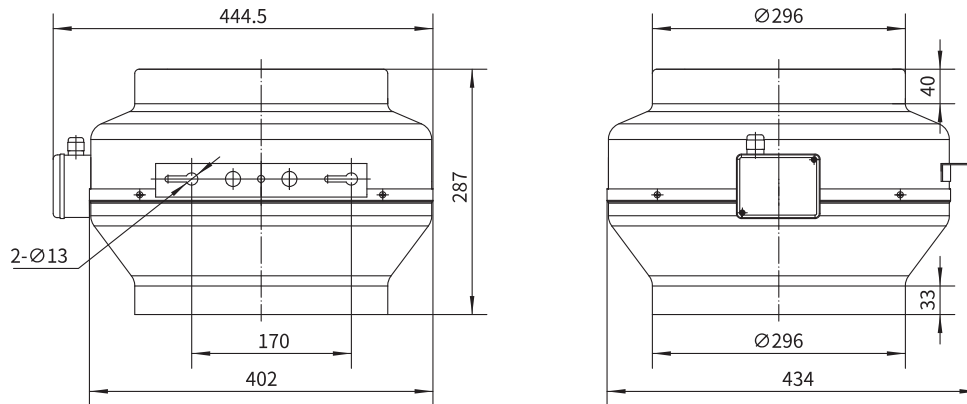
**Housing Material:** Carbon Steel

**Ingress Protection:** IP44

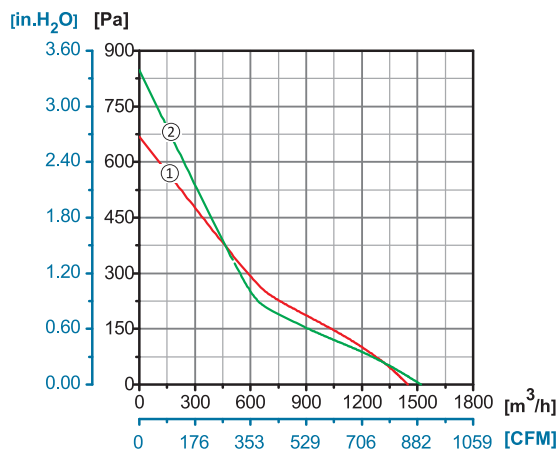
**Insulation Class:** F

**Bearing Type:** Maintenance Free Ball Bearing

### Dimensional Drawings



### Performance Curves



Model No.	Voltage	Frequency	Current	Power	Speed	Capacitor	Air Flow (0 Pa)	Noise	Curve	Working Temp.	Approvals
	V	Hz	A	W	RPM	µF	[m <sup>3</sup> /h]/[CFM]	dB(A)	No.	Min/Max (°C)	
YWF.G2S-300-287AA2A	110/120	60	2.19	250	2720	28	1520/894	76	②	-30/+60	
YWF.G2S-300-287AA20	220/230	50	0.85	187	2560	7	1450/852	74	①	-30/+60	CCC, CE
	220/230	60	1.19	260	2730	7	1520/894	75	②	-30/+60	CE