

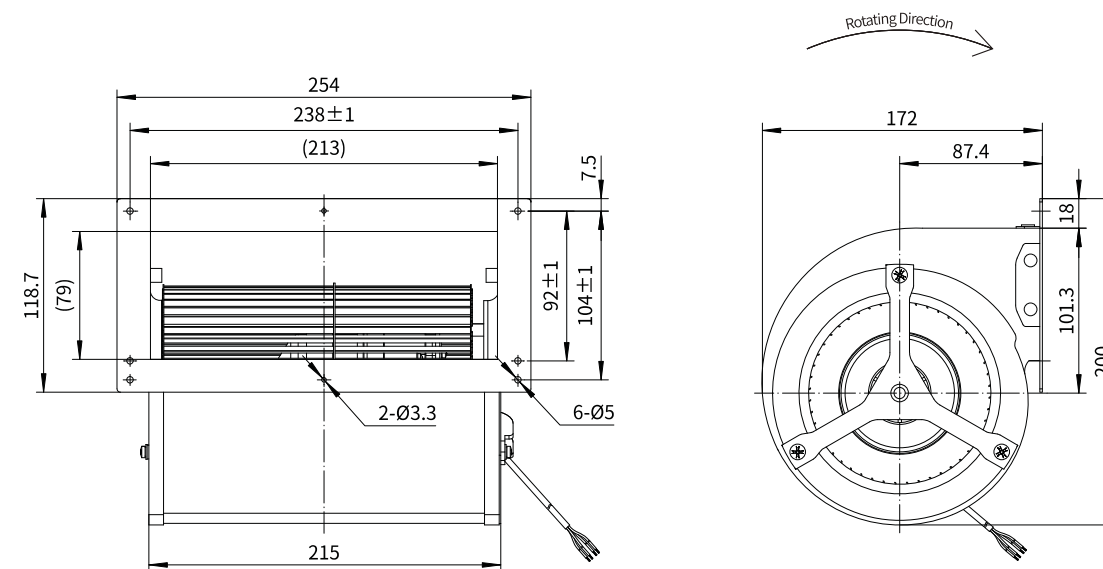
DC Forward Curved Centrifugal Fan and Blower

Blower

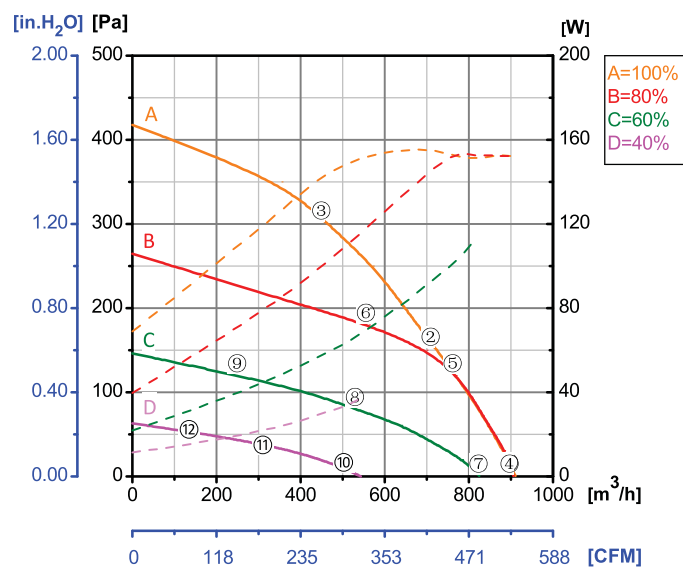


Φ 133 (Dual-inlet)

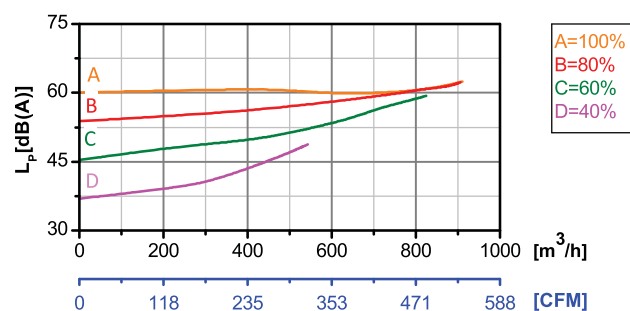
- Rotor Material: Carbon steel
- Housing Material: Carbon steel
- Impeller Material: Galvanized steel sheet
- Ingress Protection: IP42
- Insulation Class: F
- Bearing Type: Maintenance free ball bearing



Performance Curves



| Test Point | Speed | Input Power |
|------------|-------|-------------|
| | rpm | W |
| 1 | 1949 | 152 |
| 2 | 2389 | 155 |
| 3 | 2851 | 146 |
| 4 | 1939 | 152 |
| 5 | 2297 | 153 |
| 6 | 2364 | 119 |
| 7 | 1770 | 115 |
| 8 | 1777 | 66 |
| 9 | 1780 | 39 |
| 10 | 1186 | 37 |
| 11 | 1188 | 25 |
| 12 | 1188 | 17 |



Erp2015 Data:
 Efficiency η_{statA} = *%
 Efficiency grade N_{actual} = *, N_{target} = 44
 Test report No. : L-20210302-003-085

| Model No. | Voltage | Frequency | Speed | Input Power | Current | Working Temp. | APProvals |
|---------------|---------|-----------|-------|-------------|---------|---------------|-----------|
| | VAC | Hz | RPM | W | A | Min/Max (°C) | |
| DC92-F133-C10 | 48 | / | 1920 | 150 | 3.10 | -20/+60 | CCC,CE |
| DC92-F133-D10 | 310 | / | 1920 | 150 | 0.48 | -20/+60 | CCC,CE |