

DC Backward Curved Centrifugal Fan with Aileron Impeller

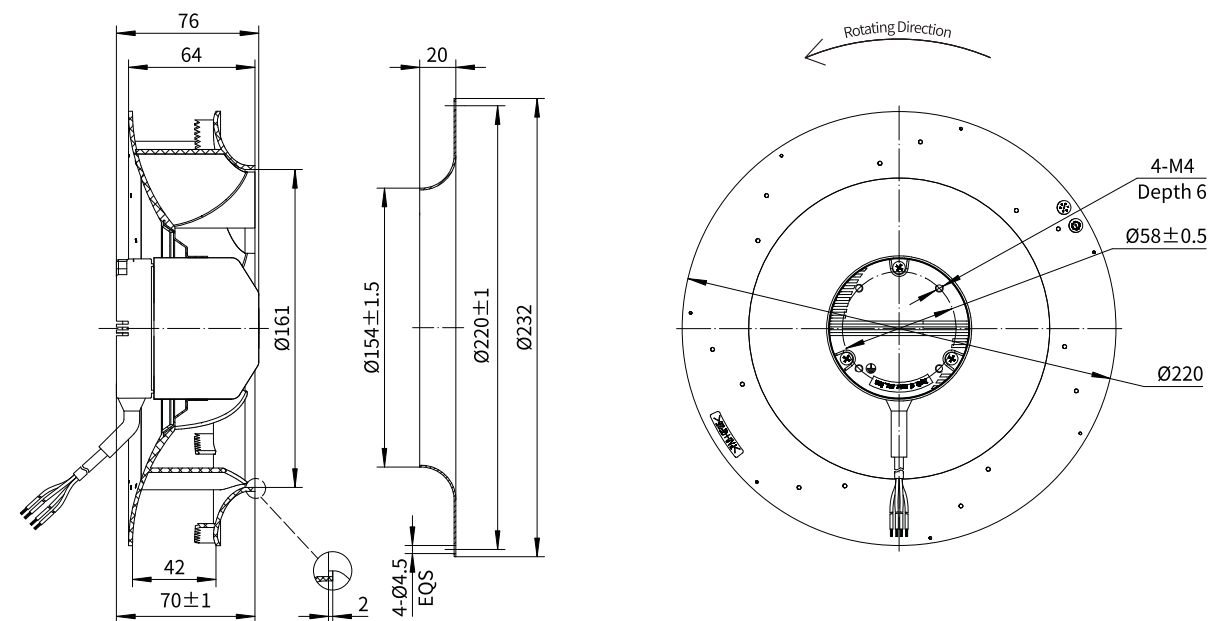
ErP2015  
EXCEEDS THE NORM

Motorized Backward Curved Impeller

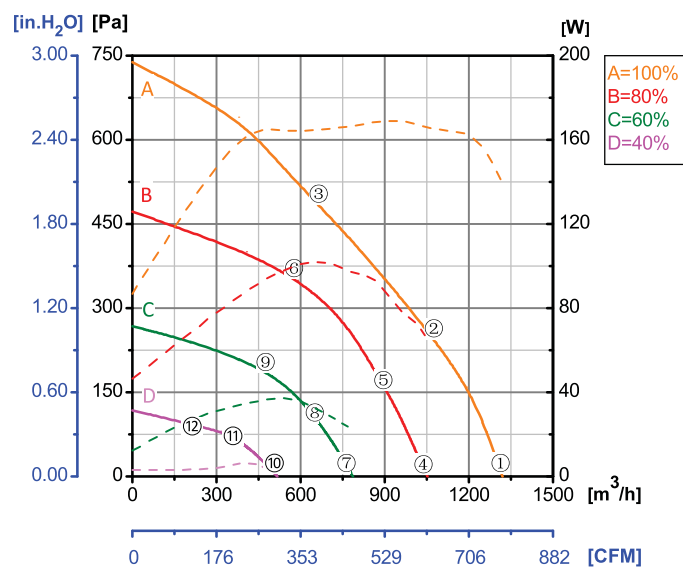


Φ 220-L

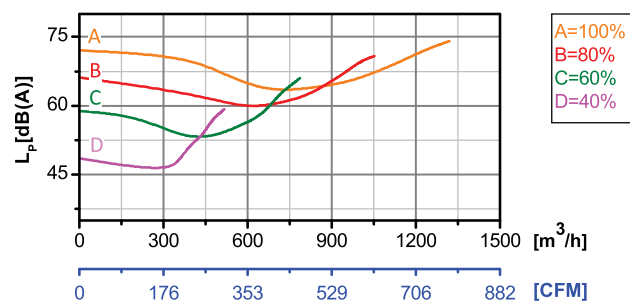
Rotor Material: Carbon steel  
Impeller Material: Plastic  
Ingress Protection: IP42  
Insulation Class: F  
Bearing Type: Maintenance free ball bearing



Performance Curves



Test Point	Speed	Input Power
	rpm	W
1	3482	139
2	3360	164
3	3327	164
4	2783	65
5	2782	87
6	2781	102
7	2093	22
8	2093	31
9	2092	37
10	1389	3
11	1390	6
12	1389	6



Erp2015 Data:  
Efficiency  $\eta_{statA}$  = 62.3%  
Efficiency grade  $N_{actual}$  = 81,  $N_{target}$  = 62  
Test report No. : L-20210302-005-091

Model No.	Voltage	Frequency	Speed	Input Power	Current	Working Temp.	APPROVALS
	VAC	Hz	RPM	W	A	Min/Max (°C)	
DC72-B220-D01	310	/	3500	140	0.47	-20/+60	CCC,CE