

EC Forward Curved Centrifugal Fan and Blower

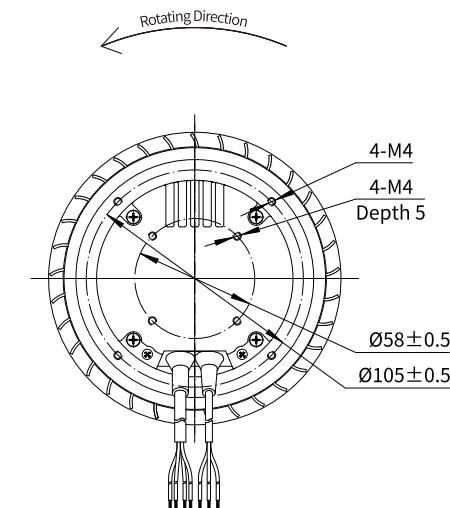
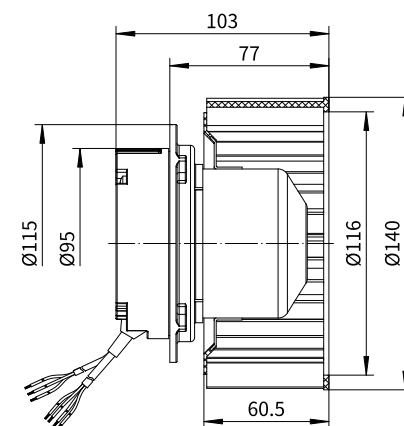
Erp2015
EXCEEDS THE NORM

Motorized Forward Curved Impeller

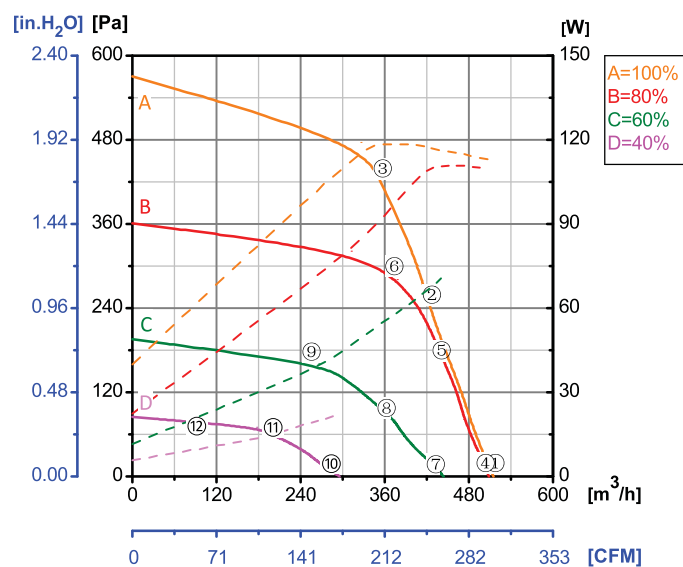


Φ 140-L

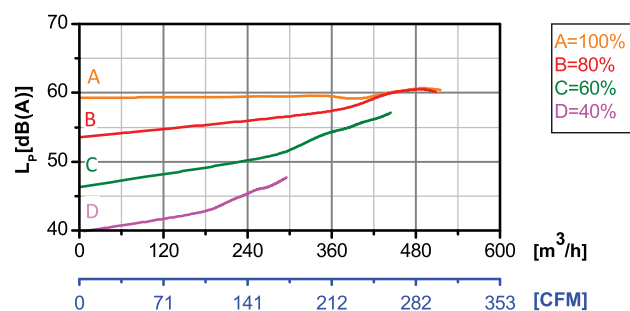
Rotor Material: Carbon steel
Housing Material: Carbon steel
Impeller Material: Plastic
Ingress Protection: IP44
Insulation Class: F
Bearing Type: Maintenance free ball bearing



Performance Curves

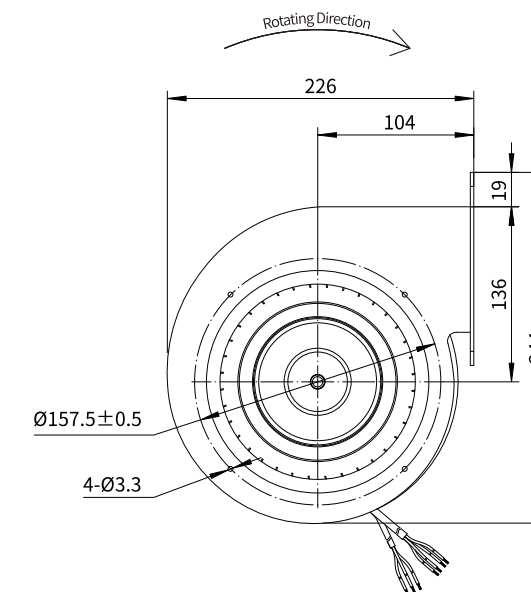
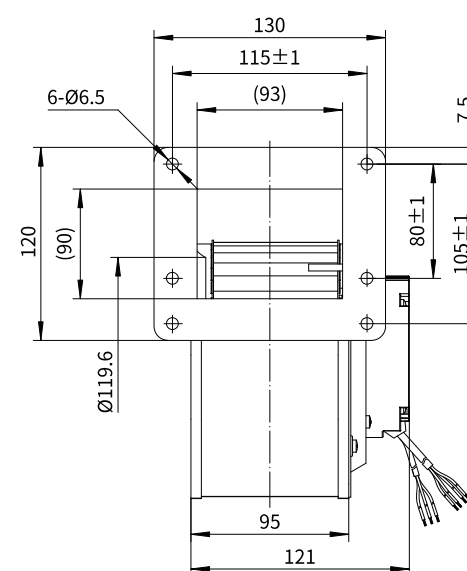


Test Point	Speed	Input Power
	rpm	W
1	2200	112
2	2576	117
3	2901	118
4	2196	109
5	2416	110
6	2550	98
7	1918	71
8	1922	58
9	1902	39
10	1292	22
11	1293	19
12	1279	15



Erp2015 Data:
Efficiency $\eta_{statA} = *% < 125W$
Efficiency grade $N_{actual} = *, N_{target} = 44$
Test report No. : L-20210302-003-014

Blower



Model No.	Voltage	Frequency	Speed	Input Power	Current	Working Temp.	Approvals
	VAC	Hz	RPM	W	A	Min/Max (°C)	
EC72-F140-013	1~220/230	50/60	2250	115	0.94	-20/+60	CCC,CE