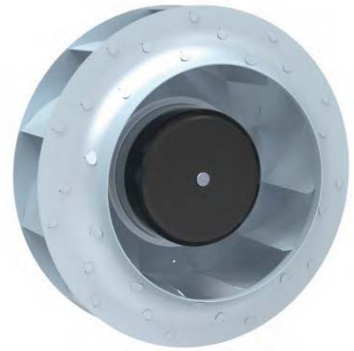


EC Backward Centrifugal Fan with Metal Impeller

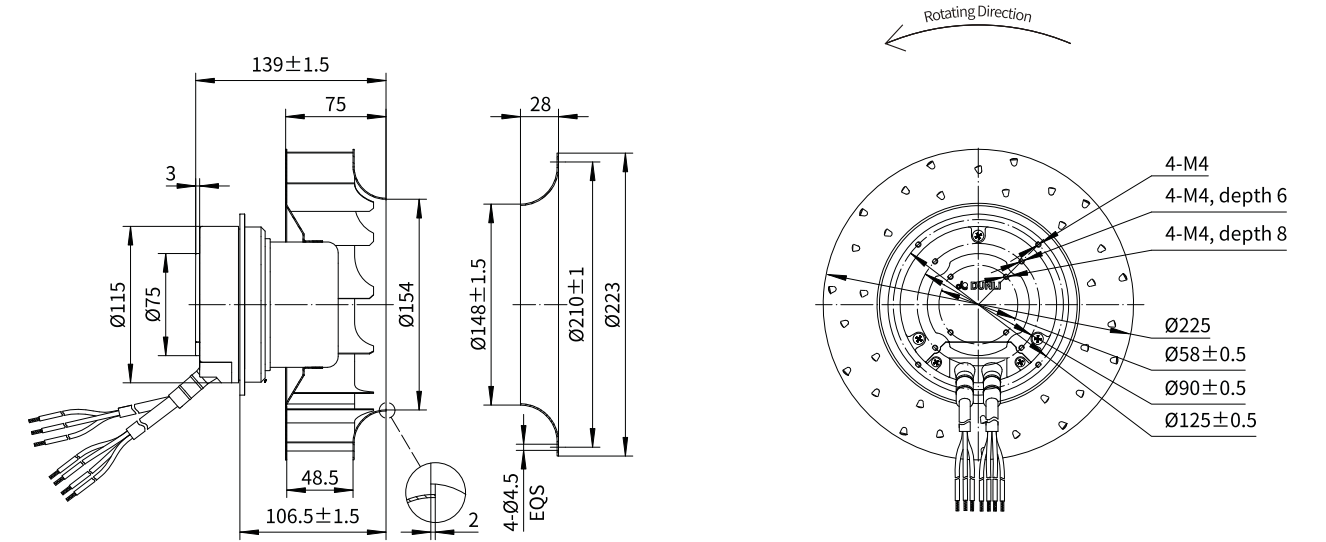
Erp2015
EXCEEDS THE NORM

Motorized Backward Curved Impeller

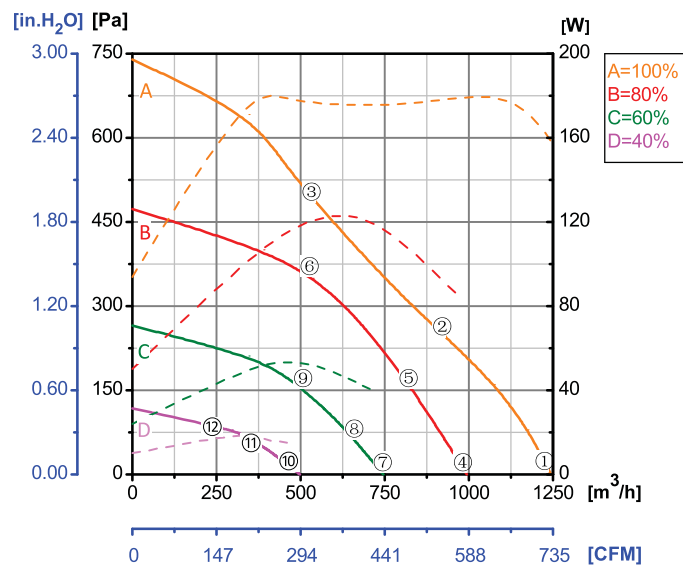


Φ 225

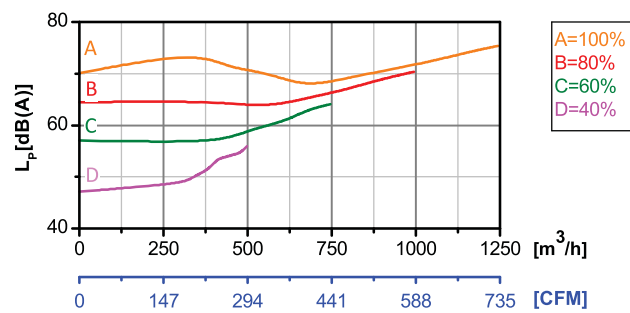
Rotor Material: Carbon steel
 Impeller Material: Galvanized steel sheet
 Ingress Protection: IP44
 Insulation Class: F
 Bearing Type: Maintenance free ball bearing



Performance Curves



Test Point	Speed	Input Power
	rpm	W
1	3400	159
2	3189	178
3	3093	176
4	2718	81
5	2722	106
6	2720	122
7	2038	37
8	2038	44
9	2038	53
10	1357	14
11	1358	16
12	1358	18



Erp2015 Data:
 Efficiency η_{statA} = 48.5%
 Efficiency grade N_{actual} = 67, N_{target} = 62
 Test report No. : L-20210302-005-104

Model No.	Voltage	Frequency	Speed	Input Power	Current	Working Temp.	Approvals
	VAC	Hz	RPM	W	A	Min/Max (°C)	
EC92-B225-B01	1~220/230	50/60	3400	160	1.18	-20/+60	CCC,CE