

EC Backward Centrifugal Fan with Metal Impeller

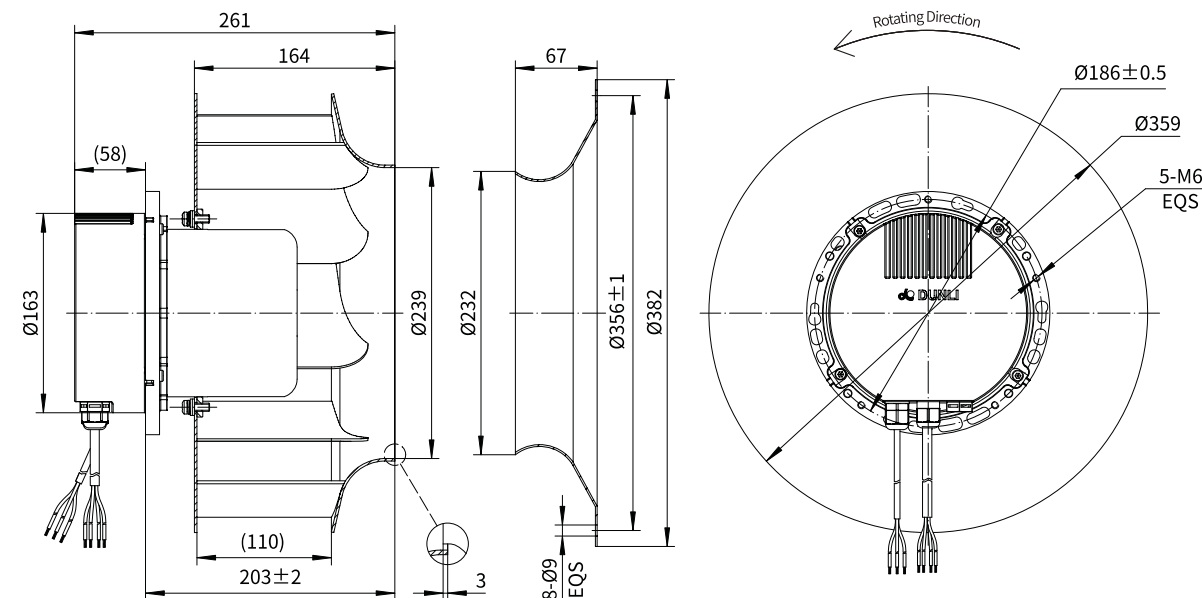
Erp2015
EXCEEDS THE NORM



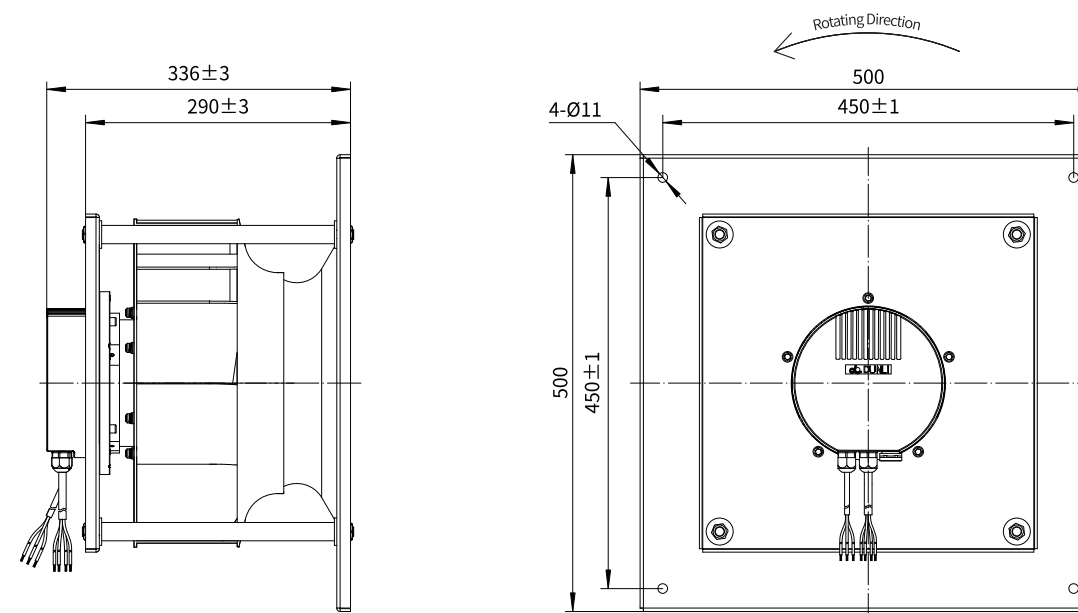
Φ 355 (3-phase)

Rotor Material: Carbon steel
Impeller Material: Aluminum alloy sheet
Ingress Protection: IP54
Insulation Class: F
Bearing Type: Maintenance free ball bearing

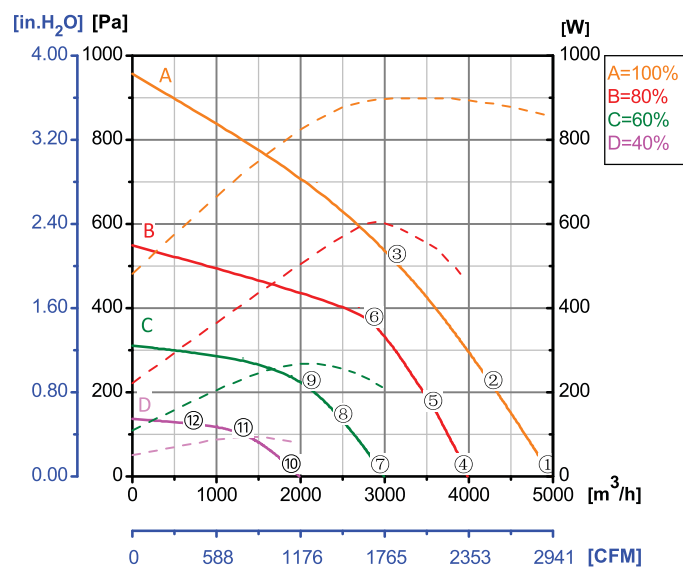
Motorized Backward Curved Impeller



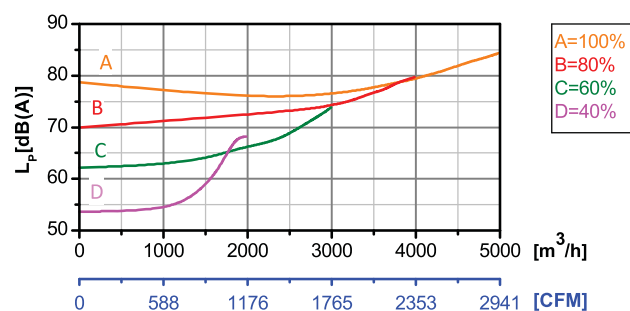
With Supporting Rack



Performance Curves



Test Point	Speed	Input Power
	rpm	W
1	2184	858
2	2086	885
3	2003	901
4	1743	457
5	1747	543
6	1746	604
7	1313	210
8	1314	253
9	1312	269
10	875	77
11	875	87
12	875	95



Erp2015 Data:
Efficiency η_{statA}=53.8%
Efficiency grade N_{actual}=64.7, N_{target}=62
Test report No. : L-20210302-005-063

Model No.	Voltage	Frequency	Speed	Input Power	Current	Working Temp.	Approvals
	VAC	Hz	RPM	W	A	Min/Max (°C)	
EC137-B355-002	3~380/400	50/60	2280	840	1.35	-20/+60	CCC,CE