

EC Backward Centrifugal Fan with Metal Impeller

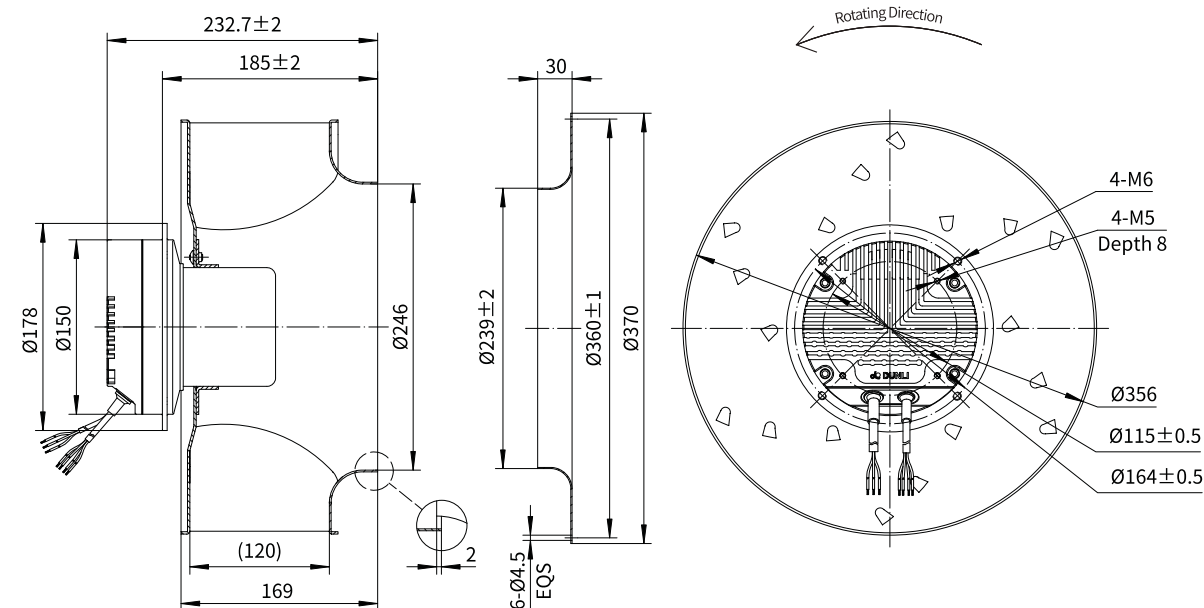
Erp2015
EXCEEDS THE NORM

Motorized Backward Curved Impeller

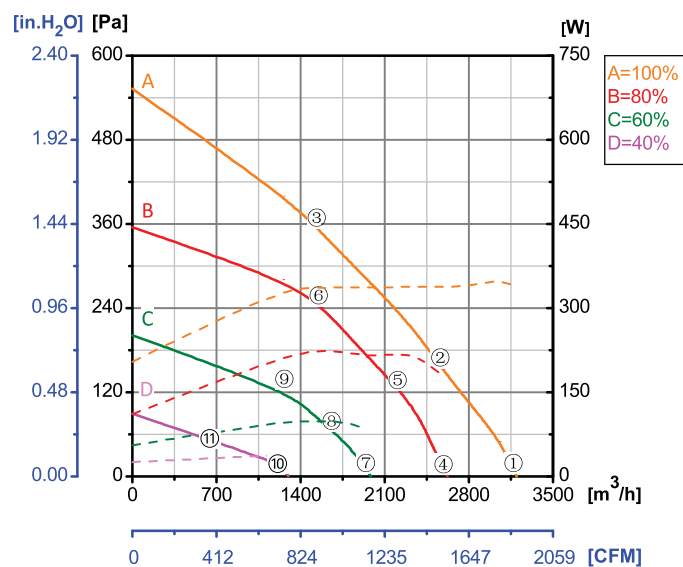


Φ 355-L

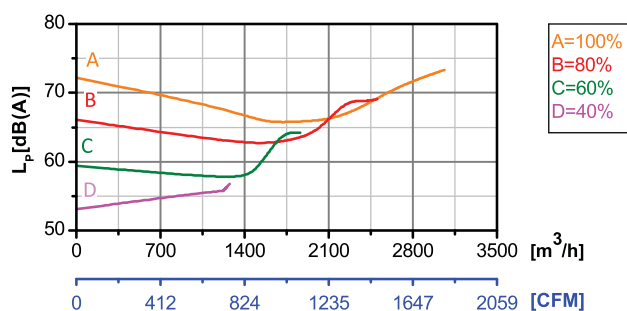
Rotor Material: Carbon steel
 Impeller Material: Aluminum alloy sheet
 Ingress Protection: IP54
 Insulation Class: F
 Bearing Type: Maintenance free ball bearing



Performance Curves



Test Point	Speed	Input Power
	rpm	W
1	1772	338
2	1627	337
3	1621	336
4	1418	176
5	1418	220
6	1421	227
7	1068	82
8	1066	99
9	1068	101
10	712	33
11	711	36
12	/	/



Erp2015 Data:
 Efficiency η_{statA} = 51.1%
 Efficiency grade N_{actual} = 66.6, N_{target} = 62
 Test report No. : L-20210302-005-051

Model No.	Voltage	Frequency	Speed	Input Power	Current	Working Temp.	Approvals
	VAC	Hz	RPM	W	A	Min/Max (°C)	
EC102-B355-003	1~220/230	50/60	1770	350	1.52	-20/+60	CCC,CE