



Plastic Airfoil Blade Axial Fan

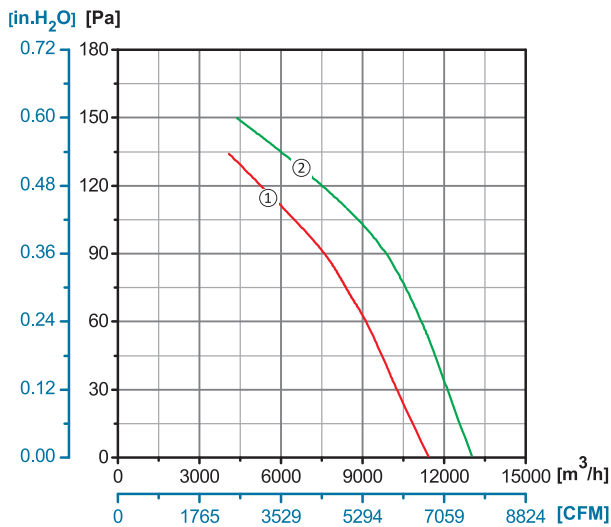
ErP2015
EXCEEDS THE NORM



Φ630

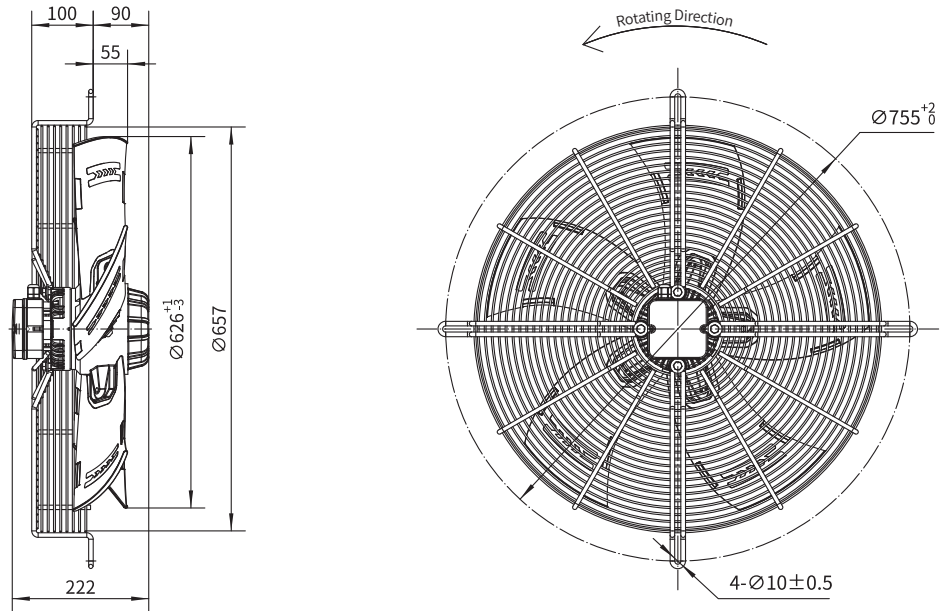
Rotor Material: Aluminum Die-casting
Impeller Material: Plastic
Ingress Protection: IP54
Insulation Class: F
Bearing Type: Maintenance Free Ball Bearing

Performance Curves

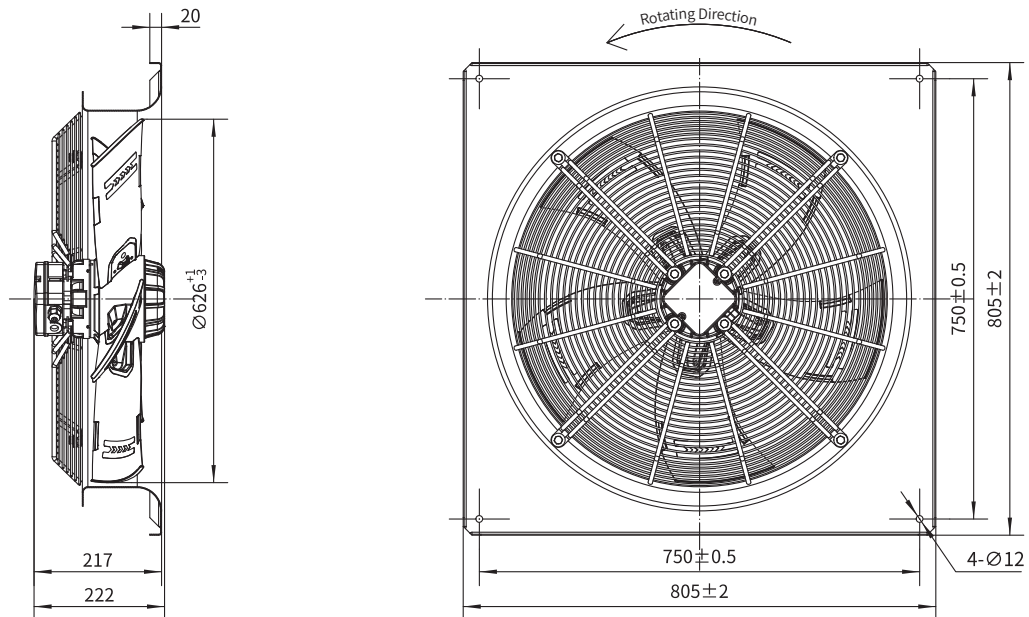



Type B	Type C	Type D	Type E	Type F0
YWF.A6S-630S-5B AP0	YWF.A6S-630S-5C AP0	YWF.A6S-630S-5D AP0	YWF.A6S-630S-5E AP0	YWF.A6S-630S-5F AP0
YWF.A6T-630S-5B AP0	YWF.A6T-630S-5C AP0	YWF.A6T-630S-5D AP0	YWF.A6T-630S-5E AP0	YWF.A6T-630S-5F AP0

Type D



Type F1



	Voltage	Frequency	Current	Power	Speed	Capacitor	Air Flow (0 Pa)	Noise	Curve	Working Temp.	Approvals
Type F1	V	Hz	A	W	RPM	μF	$[\text{m}^3/\text{h}]/[\text{CFM}]$	dB(A)	No.	Min/Max($^{\circ}\text{C}$)	
YWF.A6S-630S-5F AP1	220/230	50	2.0	420	930	12	11000/6470	67	①	-30/+60	CCC, CE
	220/230	60	2.6	600	1070	12	12600/7410	71	②	-30/+60	CCC, CE
YWF.A6T-630S-5F AP1	380/400	50	1.43	480	910	/	11300/6650	69	①	-30/+60	CCC, CE
	380/400	60	1.43	670	1030	/	12700/7470	73	②	-30/+60	CCC, CE

