

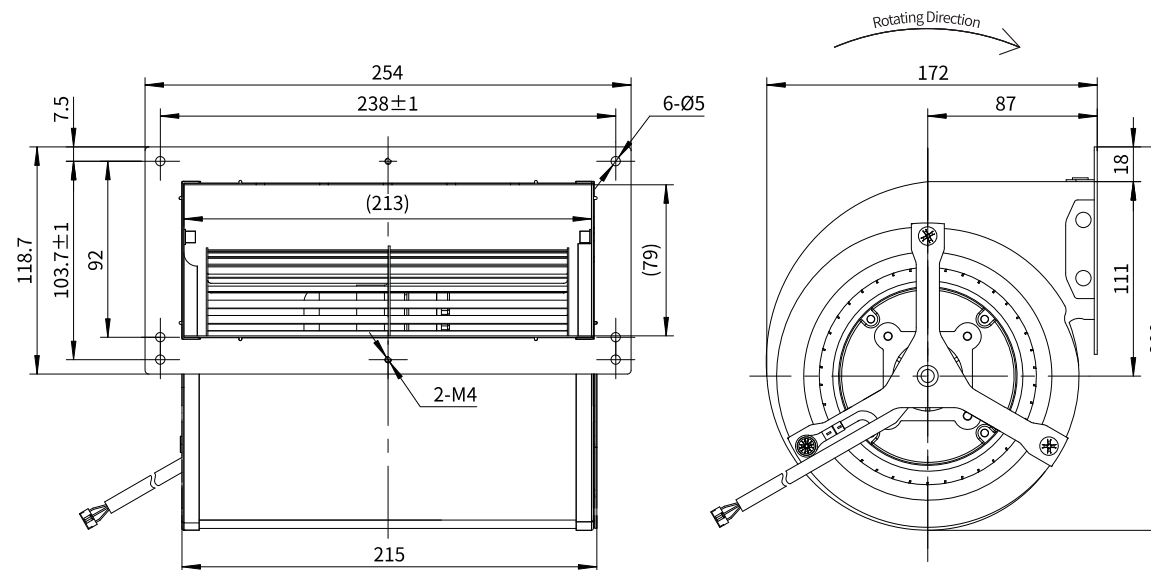
EC Forward Curved Centrifugal Fan and Blower



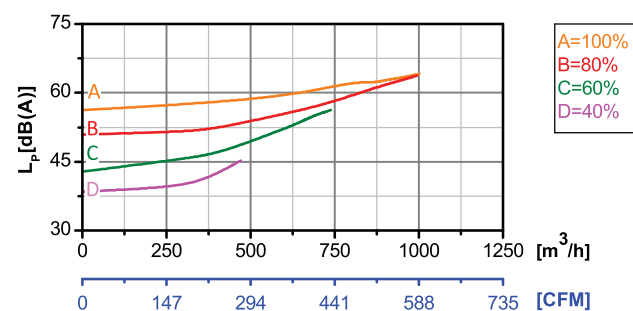
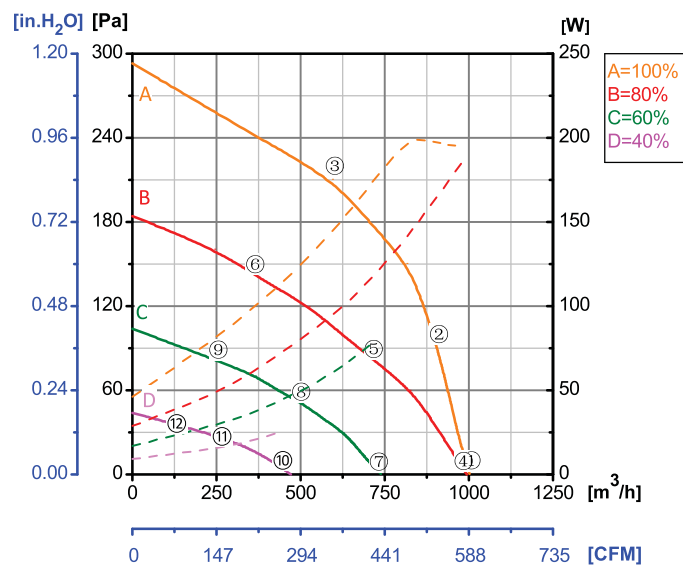
Φ 133-H (Dual-inlet)

Rotor Material: Carbon steel
 Housing Material: Carbon steel
 Impeller Material: Galvanized steel sheet
 Ingress Protection: IP44
 Insulation Class: F
 Bearing Type: Maintenance free ball bearing

Blower



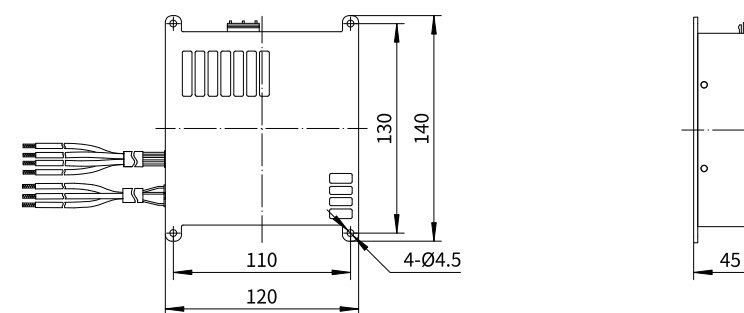
Performance Curves



Test Point	Speed	Input Power
	rpm	W
1	1997	197
2	2270	198
3	2502	144
4	2004	190
5	2004	120
6	2000	63
7	1518	83
8	1518	50
9	1512	30
10	1010	27
11	1009	19
12	1007	14

Erp2015 Data:
 Efficiency $\eta_{statA} = *%$
 Efficiency grade $N_{actual} = *, N_{target} = 44$
 Test report No. : L-20210302 -003-034

External Controller



Model No.	Voltage	Frequency	Speed	Input Power	Current	Working Temp.	APProvals
	VAC	Hz	RPM	W	A	Min/Max (°C)	
EC92-F133-010	1~220/230	50/60	2130	200	1.40	-20/+60	CCC,CE