

EC Forward Curved Centrifugal Fan and Blower

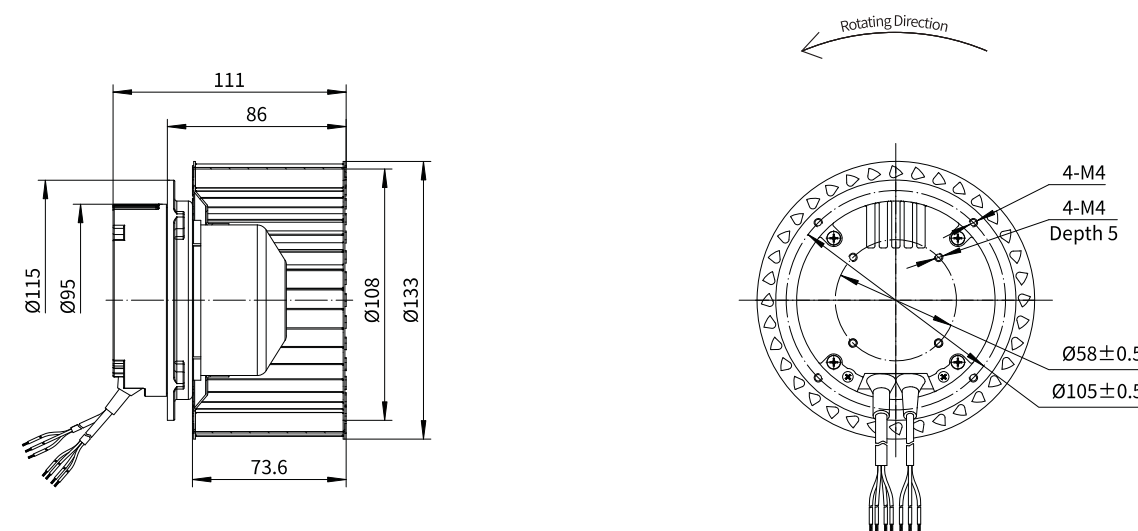
ErP2015  
EXCEEDS THE NORM

Motorized Forward Curved Impeller

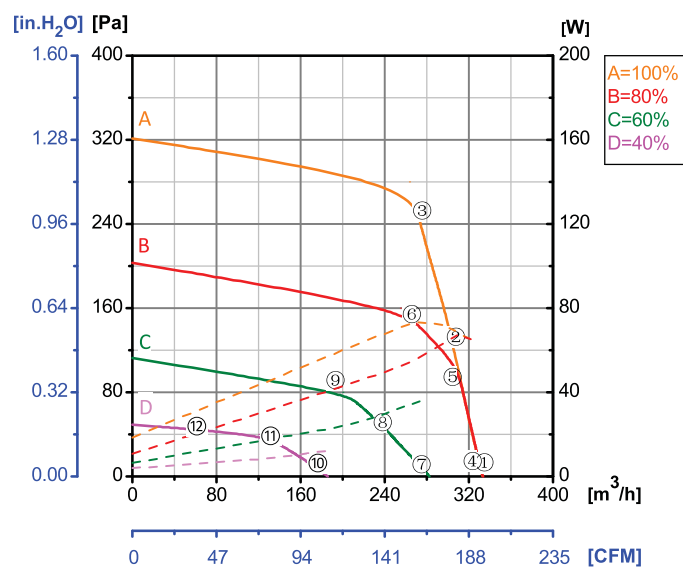


Φ 133

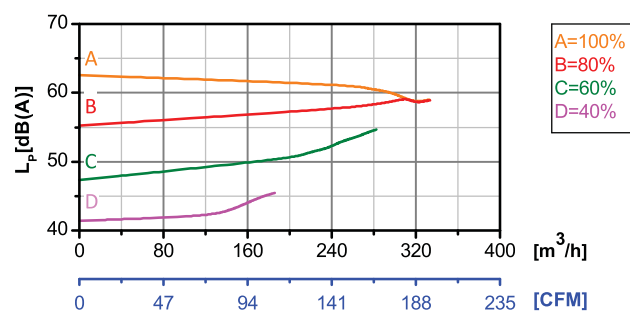
Rotor Material: Carbon steel  
Housing Material: Carbon steel  
Impeller Material: Galvanized steel sheet  
Ingress Protection: IP44  
Insulation Class: F  
Bearing Type: Maintenance free ball bearing



Performance Curves

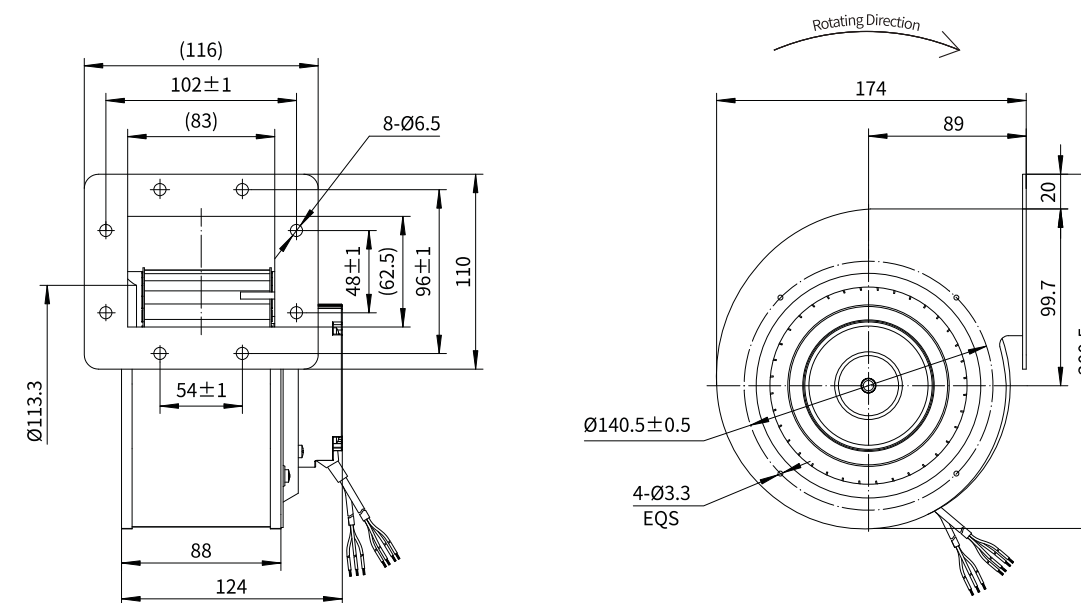


Test Point	Speed	Input Power
	rpm	W
1	1966	62
2	2275	69
3	2571	73
4	1968	62
5	2171	66
6	2226	57
7	1681	37
8	1673	30
9	1672	24
10	1129	12
11	1115	10
12	1115	8



Erp2015 Data:  
Efficiency  $\eta_{statA} = *% < 125W$   
Efficiency grade  $N_{actual} = *, N_{target} = 44$   
Test report No. : L-20210302-003-012

Blower



Model No.	Voltage	Frequency	Speed	Input Power	Current	Working Temp.	APPROVALS
	VAC	Hz	RPM	W	A	Min/Max (°C)	
EC72-F133-002	1~220/230	50/60	2000	65	0.58	-20/+60	CCC,CE