

Aluminum Die-casting Airfoil Blade Axial Fan

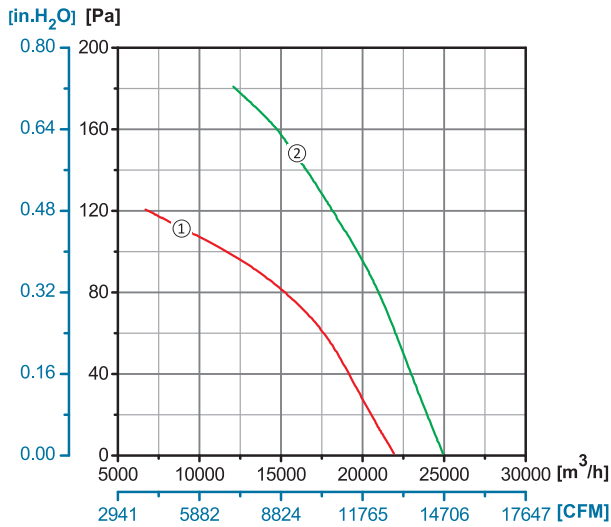
ErP2015
EXCEEDS THE NORM








Φ800

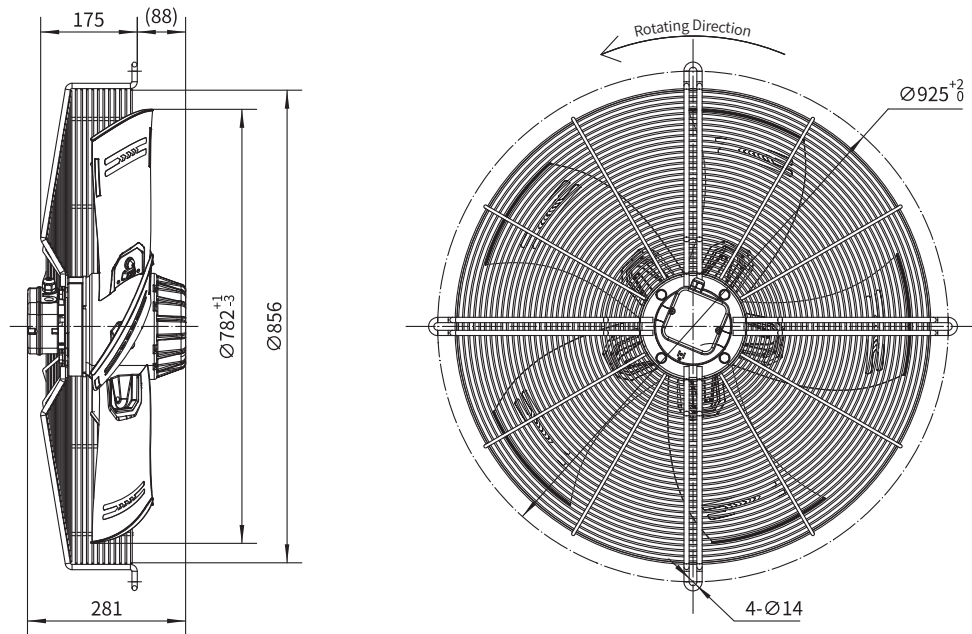
Rotor Material: Aluminum Die-casting
Impeller Material: Aluminum Die-casting
Ingress Protection: IP54
Insulation Class: F
Bearing Type: Maintenance Free Ball Bearing

Performance Curves



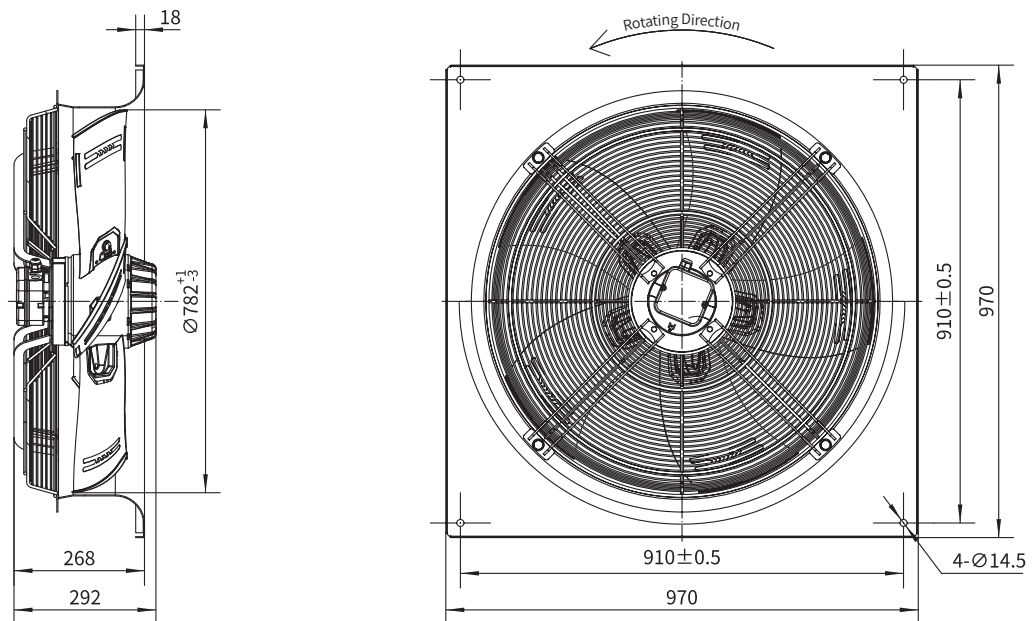
				
Type B	Type C	Type D	Type E	Type F0
/	/	YWF.A6T-800S-5D SZ0	/	/

Type D



Aluminum Airfoil Blade Axial

Type F1



	Voltage	Frequency	Current	Power	Speed	Capacitor	Air Flow (0 Pa)	Noise	Curve	Working Temp.	Approvals
Type F1	V	Hz	A	W	RPM	μF	[m³/h]/[CFM]	dB(A)	No.	Min/Max(°C)	
YWF.A6T-800S-5F SZ0	380/400	50	3.50	1700	920	/	24920/14660	77	②	-30/+60	CCC, CE
	380/400	50	2.20	1250	770	/	21910/12890	73	①	-30/+60	CCC, CE

