



In-line Duct Fan



Φ 315

Rotor Material: Aluminum Die-casting

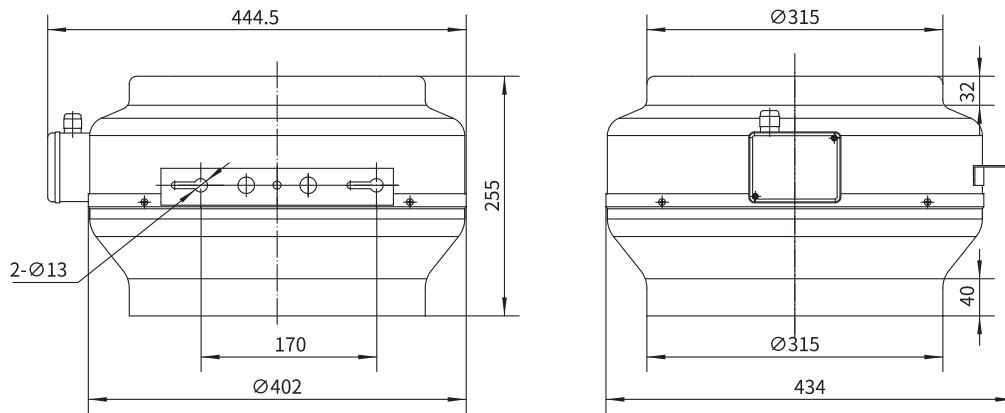
Housing Material: Carbon Steel

Ingress Protection: IP44

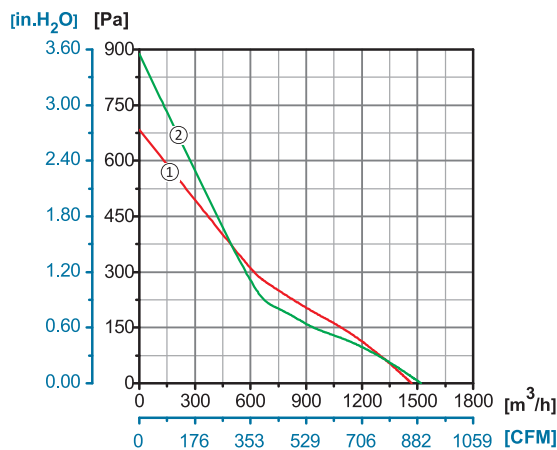
Insulation Class: F

Bearing Type: Maintenance Free Ball Bearing

Dimensional Drawings



Performance Curves



In-line Duct Fan

Model No.	Voltage	Frequency	Current	Power	Speed	Capacitor	Air Flow (0 Pa)	Noise	Curve	Working Temp.	Approvals
	V	Hz	A	W	RPM	μF	$[m^3/h]/[CFM]$	dB(A)	No.	Min/Max ($^{\circ}C$)	
YWF.G2S-315-255AA2A	110/120	60	2.21	260	2660	28	1520/894	75	②	-30/+60	
YWF.G2S-315-255AA10	220/230	50	0.84	180	2575	7	1470/864	75	①	-30/+60	CCC, CE
	220/230	60	1.19	260	2725	7	1520/894	76	②	-30/+60	CE

