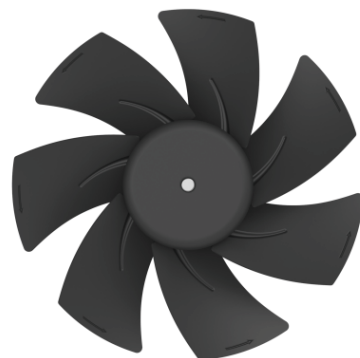


DC Conventional Carbon Steel Blade Axial Fan

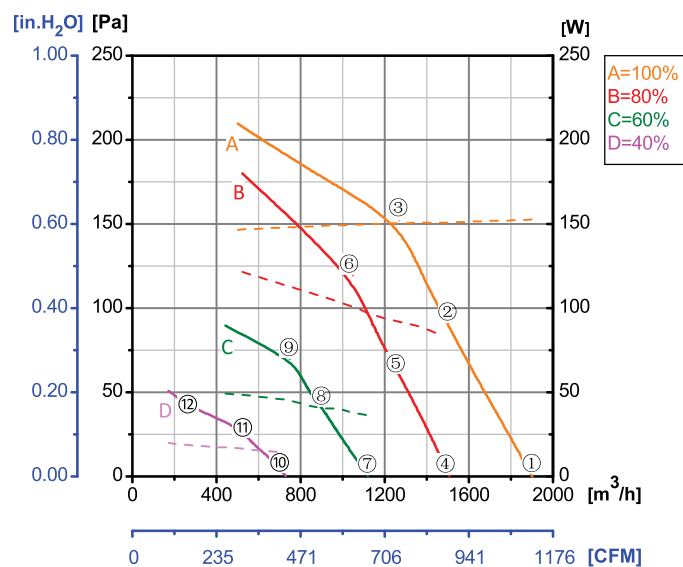
Erp2015
EXCEEDS THE NORM



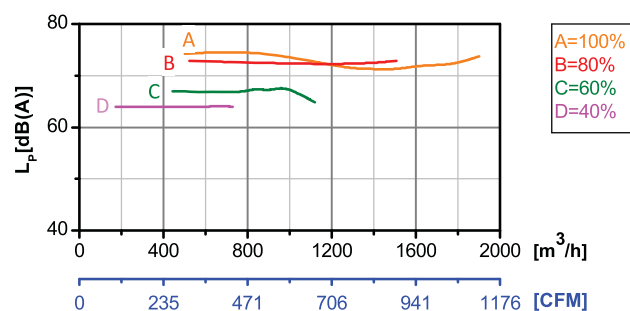
Φ 250

Rotor Material: Carbon steel
Blade Material: Carbon steel
Ingress Protection: IP42
Insulation Class: F
Bearing Type: Maintenance free ball bearing

Performance Curves



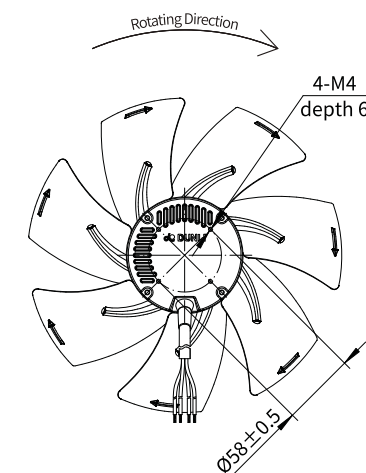
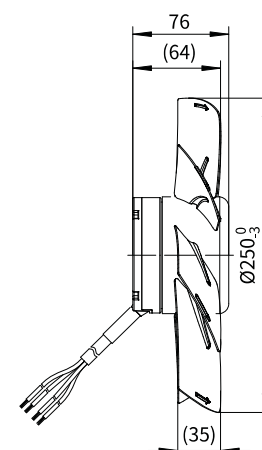
Test Point	Speed	Input Power
	rpm	W
1	2788	127
2	2794	122
3	2687	124
4	2234	66
5	2234	67
6	2232	70
7	1673	29
8	1673	30
9	1677	46
10	1113	10
11	1114	10
12	1112	15



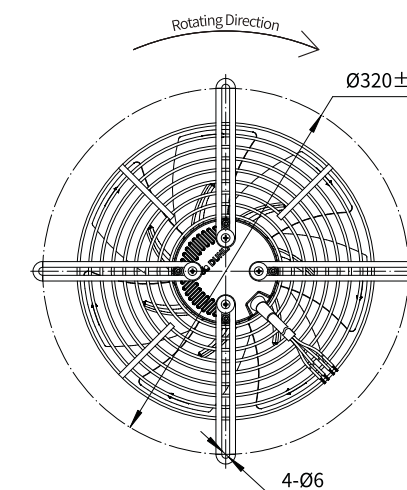
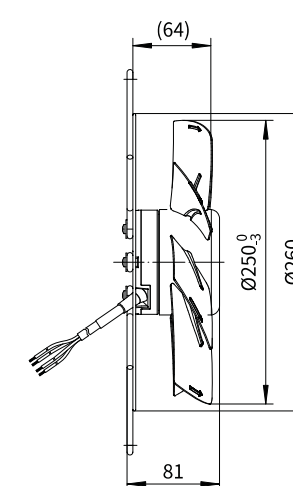
Erp2015 Data:
Efficiency η_{statA} = 28.6%
Efficiency grade N_{actual} = 40.6, N_{target} = 40
Test report No. : L-20210302-004-022

Model No.	Voltage	Frequency	Speed	Input Power	Current	Working Temp.	APPROVALS
	VAC	Hz	RPM	W	A	Min/Max (°C)	
DC92-A250-041	24	/	2780	125	5.21	-20/+60	CE
DC92-A250-C41	48	/	2780	125	2.61	-20/+60	CCC,CE
DC92-A250-D41	310	/	2780	125	0.41	-20/+60	CCC,CE

Type A



Type B



Type F

