

EC Forward Curved Centrifugal Fan and Blower

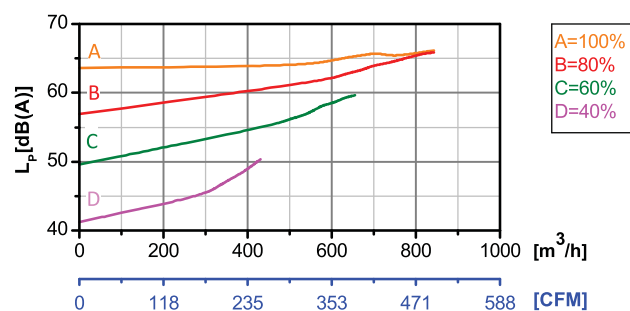
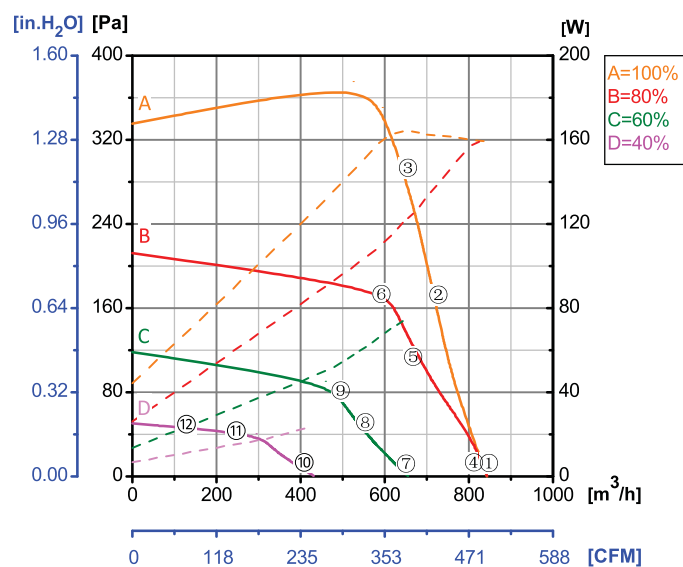
Erp2015
EXCEEDS THE NORM



Φ 180

Rotor Material: Carbon steel
Housing Material: Carbon steel
Impeller Material: Galvanized steel sheet
Ingress Protection: IP44
Insulation Class: F
Bearing Type: Maintenance free ball bearing

Performance Curves

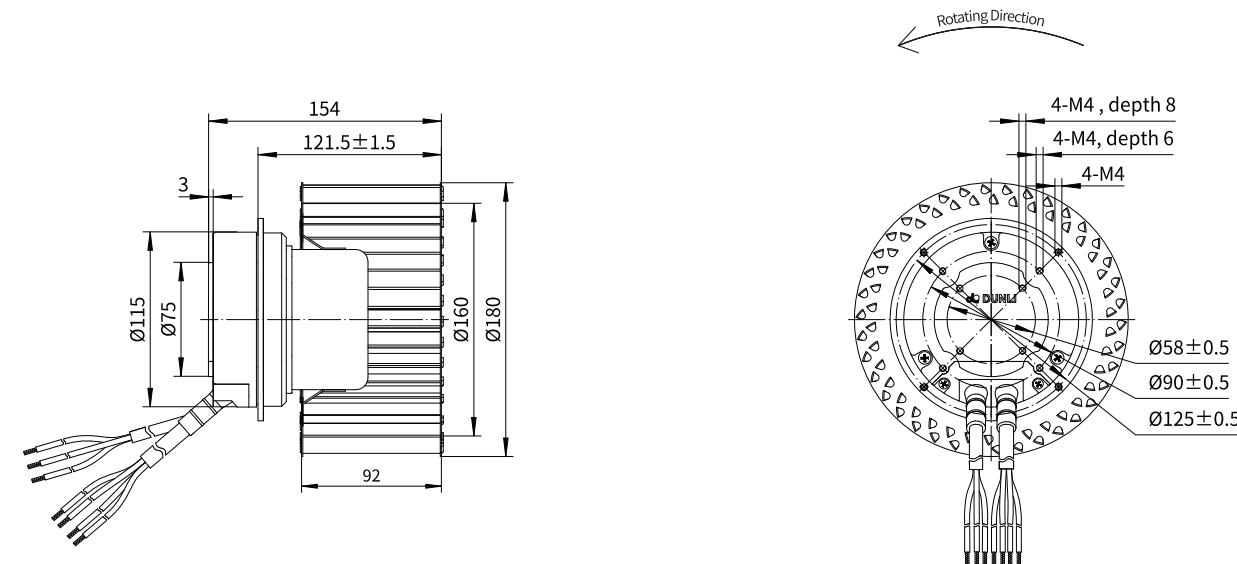


Test Point	Speed	Input Power
	rpm	W
1	1538	159
2	1750	162
3	1888	164
4	1540	159
5	1595	133
6	1595	116
7	1199	75
8	1198	62
9	1198	55
10	799	24
11	797	20
12	797	17

Erp2015 Data:
Efficiency η_{statA} = 33.9%
Efficiency grade N_{actual} = 45.8, N_{target} = 44
Test report No. : L-20210302 -003-033

Model No.	Voltage	Frequency	Speed	Input Power	Current	Working Temp.	Approvals
	VAC	Hz	RPM	W	A	Min/Max (°C)	
EC92-F180-030	1~220/230	50/60	1520	165	1.23	-20/+60	CCC,CE,UL

Motorized Forward Curved Impeller



Blower

