

DC Backward Curved Centrifugal Fan

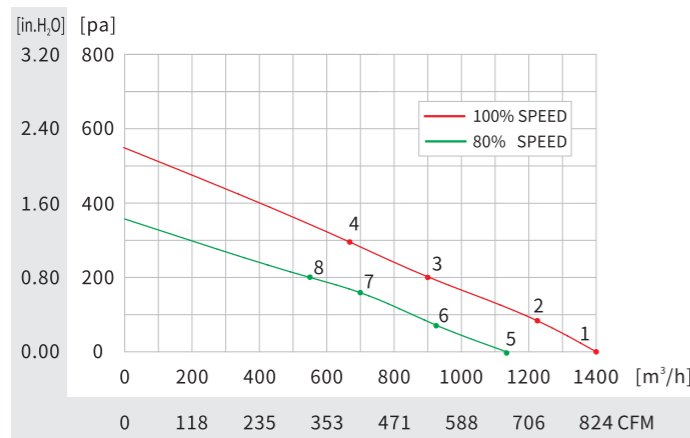
ErP2015
EXCEEDS THE NORM

DC92-B250

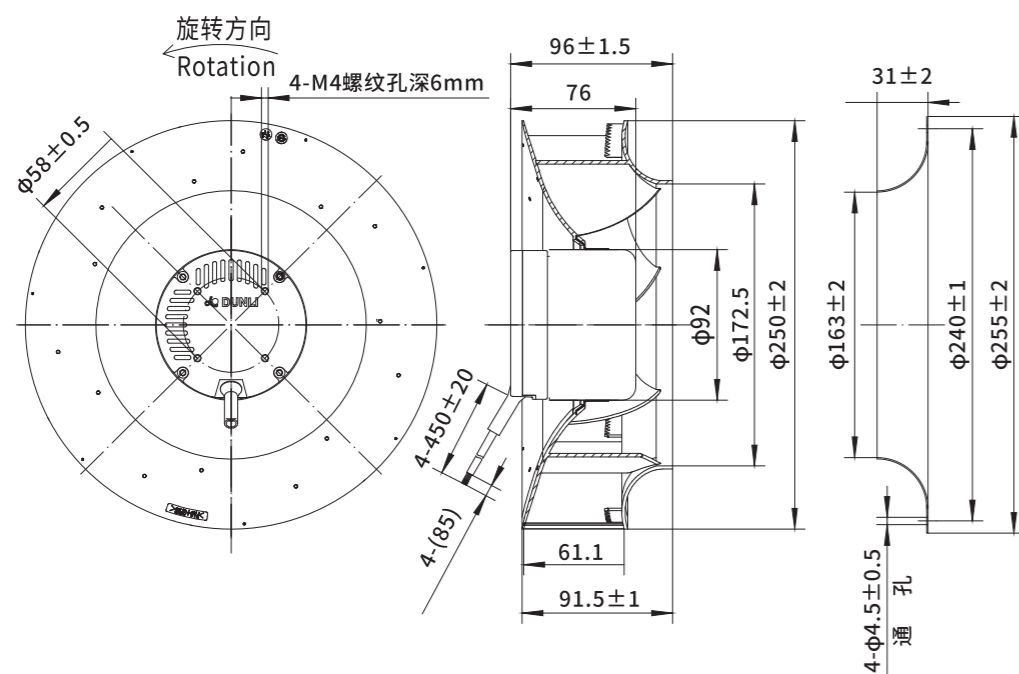


防护等级 (Level of protection): IP42
绝缘等级 (Insulation class): B
产品认证 (Approval): CE、CCC
轴承类型 (Bearing): Maintenance Free Ball Bearing

型号 Model	额定电压 Rated Voltage	频率 Frequency	转速 Speed	输入功率 Input Power	电流 Current	噪音 Noise	使用温度 Applicable Temp
	VAC	Hz	RPM	W	A	dB	°C
DC92-B250	24	/	2500	115	4.8	77	-20~+60
DC92-B250	48	/	2500	115	2.4	77	-20~+60



No.	转速 Speed [RPM]	输入功率 Input Power [W]
1	2496	115.6
2	2361	115.7
3	2208	114.6
4	2139	116.2
5	1998	56.6
6	1890	62.1
7	1824	65.5
8	1810	66.3



DC Backward Curved Centrifugal Fan

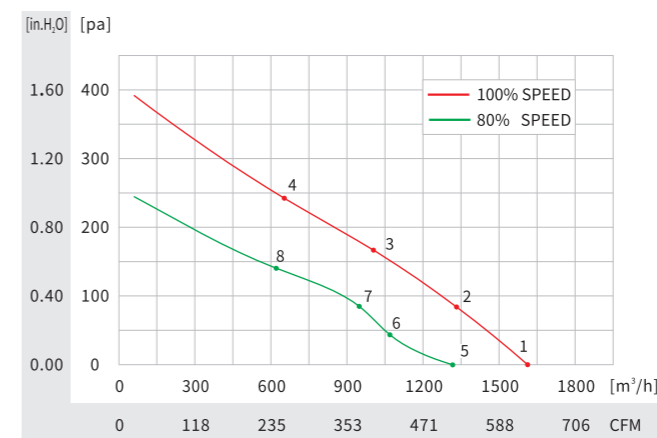
ErP2015
EXCEEDS THE NORM

DC92-B280



防护等级 (Level of protection): IP42
绝缘等级 (Insulation class): B
产品认证 (Approval): CE、CCC
轴承类型 (Bearing): Maintenance Free Ball Bearing

型号 Model	额定电压 Rated Voltage	频率 Frequency	转速 Speed	输入功率 Input Power	电流 Current	噪音 Noise	使用温度 Applicable Temp
	VAC	Hz	RPM	W	A	dB	°C
BC92-B280	24	/	1750	105	4.4	71	-20~+60
BC92-B280	48	/	1750	105	2.2	71	-20~+60



No.	转速 Speed [RPM]	输入功率 Input Power [W]
1	2495	115.6
2	2361	115.7
3	2208	114.6
4	2139	116.2
5	1998	56.6
6	1890	62.1
7	1824	65.5
8	1810	66.3

